

CEILING MOUNT SERIES PD01CMS & PD01CMB

ORDER CODE: PD01CMS 100013587 | PD01CMB 100013604

Single and Back-to-Back Ceiling Mount for NEC Large Format Displays from 32" to 55"

This ceiling mount series offers perfect display positioning and flexible adjustments for NEC Large Format Displays for either landscape or portrait configurations. The series consists of two different versions – a ceiling mount for single display installations and a ceiling mount for back-to-back installations, which make it the perfect mount for any kind of digital signage application.

PD01CMS – SINGLE CEILING MOUNT



PD01CMB – BACK-TO-BACK CEILING MOUNT



Details of PD01CMS & PD01CMB



Delivering Genuine Benefits

Only one mount for landscape and portrait orientation

Continuous tilt ranges with four set locking points to eliminate guess work when adjusting multiple screens

Simple on/off connection for ease of installation and service

Effortlessly adjust display using fingertip tilt technology

Mount swivels to any preferred viewing angle

Tool free screen engagement

Ceiling plate (CPA01) and columns (CPA080/150/300) to be ordered separately

Quick and easy installation

CEILING PLATE - CMA01



Pin Connection Offset Ceiling Plate – CMA01

- Includes 203 mm square ceiling plate with 44 mm high offset
- Offset provides cable exit when mounting to a flat ceiling surface
- Compatible with pin connection column systems CMA080/150/300
- Overall height is 100 mm

CEILING COLUMNS – CMA080/150/300

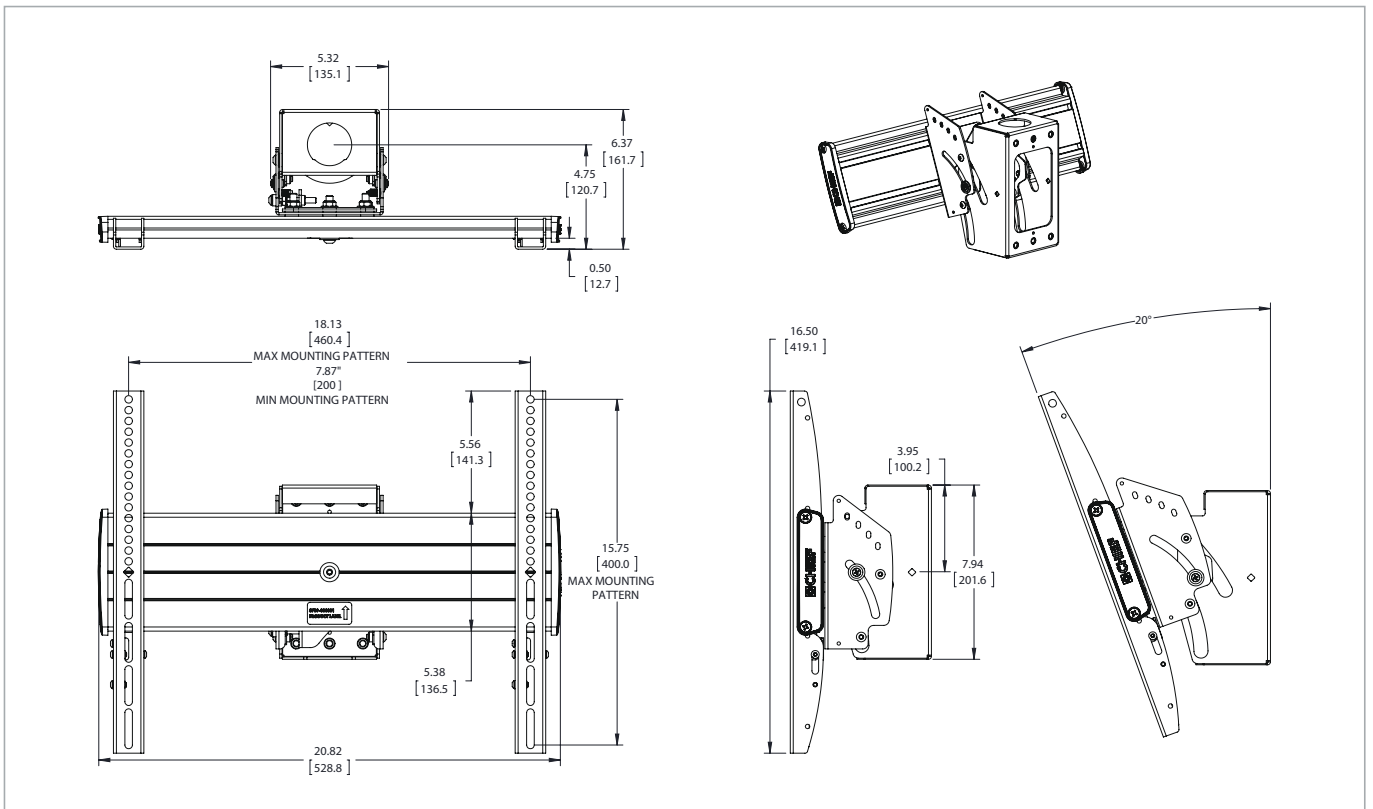


Pin Connection Column – CMA080/150/300

- Quick Service external cable management eliminates the need to pre-route cables
- Inlay style allows cables to be easily installed or removed for serviceability
- Can be cut to length to customize your installation
- Can be re-drilled
- Grooves in outer surface of column provide an aesthetic appearance and also act as drill guides
- Available in pre-cut lengths (80, 150 and 300 cm) with 3 pre-drilled thru holes in each column end

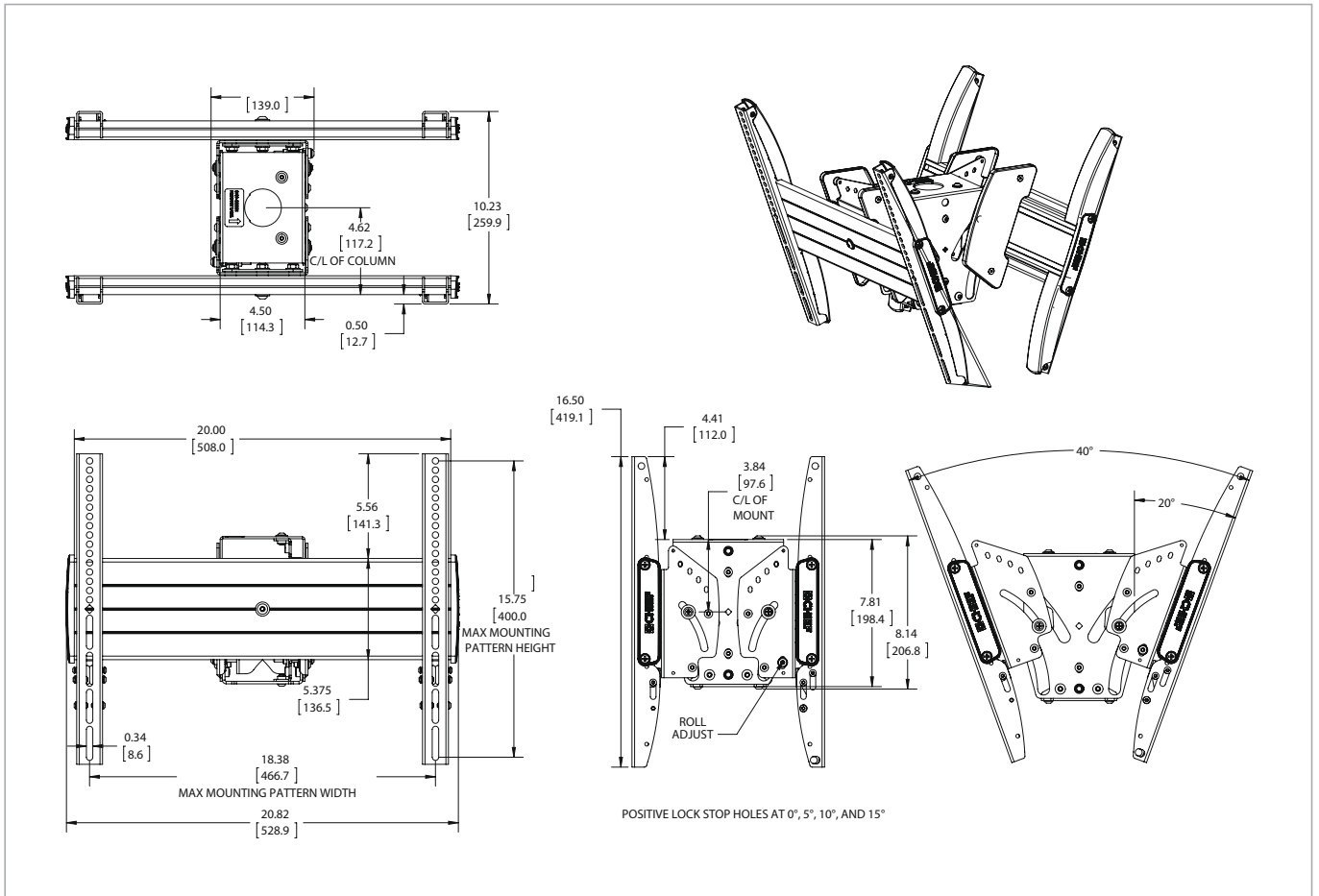
TECHNICAL DRAWINGS

SINGLE CEILING MOUNT – PD01CMS

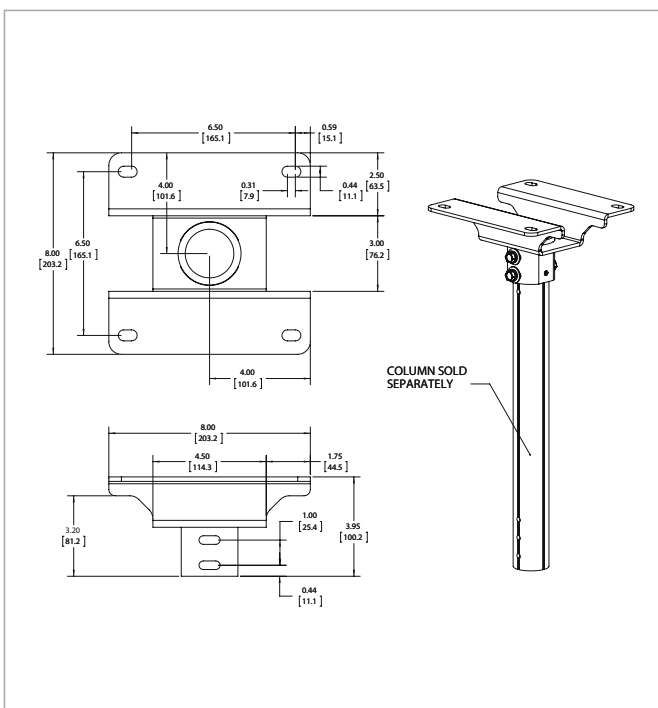


TECHNICAL DRAWINGS

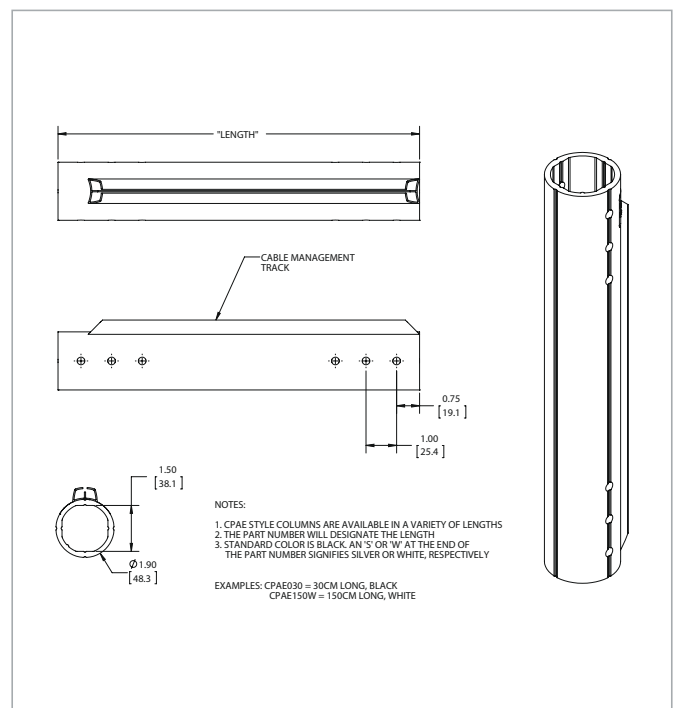
BACK-TO-BACK CEILING MOUNT – PD01CMB



PIN CONNECTION OFFSET CEILING PLATE – CMA01



PIN CONNECTION COLUMNS – CMA080/150/300





CEILING MOUNT SERIES PD01CMS & PD01CMB

ORDER CODE: PD01CMS 100013587 | PD01CMB 100013604

TECHNICAL SPECIFICATIONS

ORDER CODES	
PD01CMS	100013587
PD01CMB	100013604
CMA01	100013608
CMA080	100013607
CMA150	100013606
CMA300	100013605
CONFIGURATION	
Max. load capacity (kg)	56,7 per display
Orientation	Landscape & Portrait
Tilt function	+5° to -20°
Adjustments	± 3° (Roll)
VESA pattern (mm)	200 x 100 to 460 x 400
PRODUCT WEIGHT (KG)	
PD01CMS	6,2
PD01CMB	11,0
CMA01	2,3
CMA080/150/300	1,0/1,7/3,5
SHIPPING WEIGHT (KG)	
PD01CMS	7,7
PD01CMB	14,0
CMA01	2,8
CMA080/150/300	1,7/3,0/6,0
Package dimension (mm)	
PD01CMS	610 x 360 x 165
PD01CMB	750 x 430 x 280
CMA01	260 x 260 x 130
CMA080/150/300	870 x 60 x 60/1506 x 60 x 60/3060 x 60 x 60
SUPPORTED NEC LARGE FORMAT DISPLAYS	
PD01CMS	all Large Format Displays from 32" to 55"
PD01CMB	all Large Format Displays from 32" to 55"
ADDITIONAL FEATURES	
Finish	black
Warranty	10 years
For additional pictures and solutions overview, visit www.nec-display-solutions.com for details.	

This document is © Copyright 2014 NEC Display Solutions Europe GmbH. All rights are reserved in favour of their respective owners. The document, or parts thereof, should not be copied, adapted, redistributed, or otherwise used without the prior written permission of NEC Display Solutions Europe GmbH. This document is provided "as is" without warranty of any kind whatsoever, either express or implied. Errors and omissions are excepted.

NEC Display Solutions Europe GmbH may make changes, revisions or improvements in, or discontinue the supply of any product described or referenced in this document at any time without notice. 27. February 2014

NEC Information:

Call: +49 (0)89/99 699-0

Email: infomail@nec-displays.com

www.nec-display-solutions.com

Empowered by Innovation

NEC