

## TRVT586

tru•vue™

# TruVue Mobile XL Height Adjustable Trolley

For 55" - 86" LCD/LED Displays

The TruVue TRVT586 provides a sleek & tidy mobile solution for 55" - 86" displays. Complete with 2 heavy duty poles designed to display the screen centre at a maximum height of 1650mm (64.9").

Its unique and convenient display height adjustment is complimented by spring plungers allowing the display to be vertically positioned easily. Additional user friendly features include a cable management channel and four heavy duty braked caster wheels. The TRVT586 also comes with a spacious shelf to accommodate additional AV components.



### FEATURES

- Height Adjustable: Distance from floor to centre of display  
Min: 1150mm (45.3")  
Max: 1650mm (64.9")
- Universal VESA® 200x200 up to 800x500mm
- Included component shelf for AV equipment  
w: 456mm x d: 320mm  
Max load: 5kg (11lbs)
- Internal Cable Management  
hide cables to provide a tidy look.
- Smooth matt black finish



Display size: 55" - 86"



LB (KG)

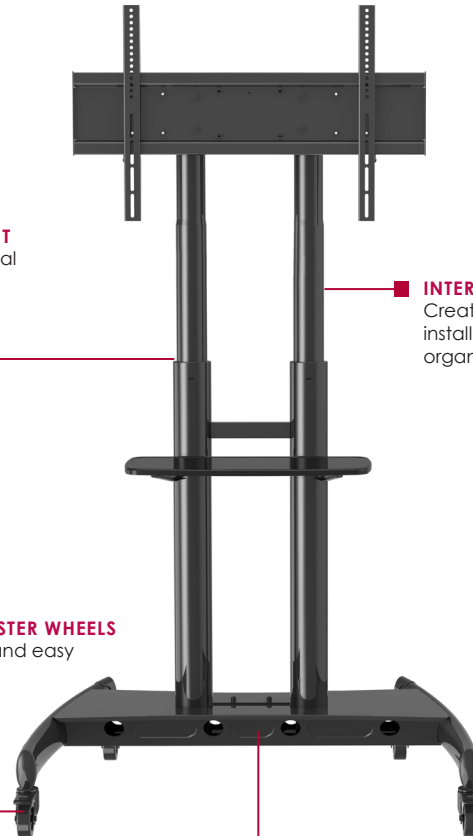
Max load: 70kg (154 lbs)

■ **HEIGHT ADJUSTMENT**  
Adjusts & locks vertical screen position

■ **INTERNAL CABLE MANAGEMENT**  
Creates a clean, professional installation while protecting and organising the cables

■ **X4 LOCKING CASTER WHEELS**  
Provides stability and easy manoeuvrability

■ **COMPACT BASE**  
For easier movement and more convenient positioning



## Model Numbers

**WARRANTY: Limited 5-year**

**TRVT586**

TruVue Mobile XL Height Adjustable Trolley TRVT586

## Product Specifications

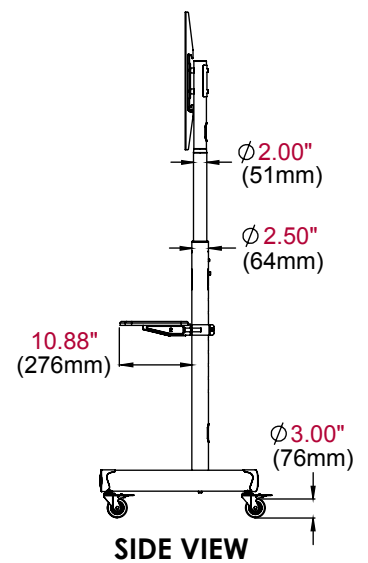
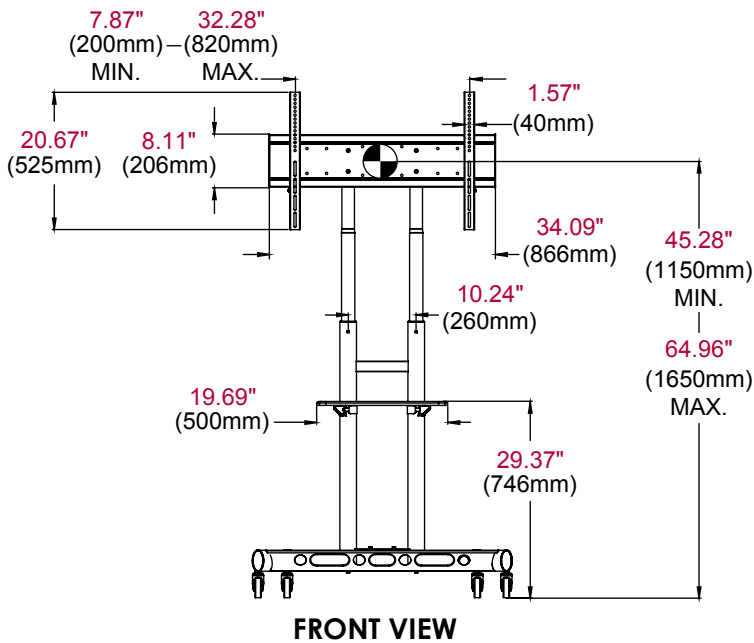
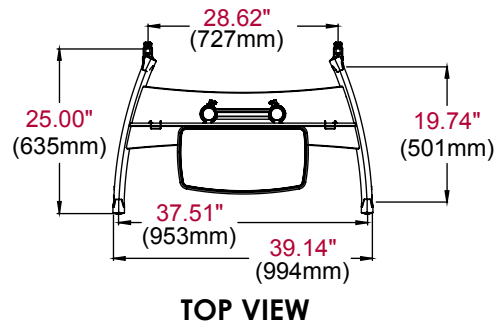
|                | DIMENSIONS (W x H x D)                      | PRODUCT WEIGHT | LOAD CAPACITY  | FINISH      | AVAILABLE COLOURS |
|----------------|---|----------------|--|-------------|-------------------|
| <b>TRVT586</b> | 995 x 1890 x 635mm<br>(39.1" x 74.4" x 25") | 28kg (62lbs)   | Display:<br>70kg (154 lbs)<br>Equipment shelf:<br>5kg (11 lbs) | Powder Coat | Black             |

## Package Specifications

|                | PACKAGE SIZE (L x W x H)                   | PACKAGE SHIP WEIGHT | PACKAGE UPC CODE | PACKAGE CONTENTS  | UNITS IN PACKAGE |
|----------------|--|---------------------|------------------|---|------------------|
| <b>TRVT586</b> | 1079 x 636 x 156mm<br>(42.5" x 25" x 6.1") | 31kg (68.5lbs)      | 735029338772     | Trolley, Component shelf, Instructions, Mounting Hardware | 1                |

## Accessories

|                   |                          |
|-------------------|--------------------------|
| <b>ACC-TRVC:</b>  | Video Conferencing Shelf |
| <b>ACC-MS586:</b> | Media Shelf              |
| <b>ACC-TRFT:</b>  | Levelling Feet Kit       |



Visit [peerless-av.com](http://peerless-av.com) to see the complete line of AV solutions from Peerless-AV, including outdoor displays, wireless, kiosks, digital audio, display mounts, projector mounts, carts/stands, and a full assortment of accessories.

**Peerless-AV**  
2300 White Oak Circle  
Aurora, IL 60502 USA  
**(800) 865-2112**  
**(630) 375-5100**  
**Fax: (800) 359-6500**

**Peerless-AV Europe**  
Unit 3 Watford Interchange  
Colonial Way, Watford  
Herts, WD24 4WP  
United Kingdom  
**+44 (0) 1923 200100**  
**Fax: +44 (0) 1923 200101**

**Peerless-AV de México**  
Ave de las Industrias 413  
Parque Industrial Escobedo  
Escobedo, N.L.,  
Mexico 66050  
**+52 (81) 8384-8300**  
**Fax: +52 (81) 8384-8360**

**peerless-AV®**

LIT-1788-rev4