

THRUSTMASTER®



FERRARI 488 GT3 WHEEL ADD-ON



PC (Windows 10/11)

PS4™ / PS5™

Xbox Series / Xbox One

User Manual



Carefully read the instructions provided in this manual **before** installing the product, **before** any use of the product and **before** any maintenance. Be sure to follow the safety instructions. Failure to follow these instructions may result in accidents and/or damage. Keep this manual so that you can refer to the instructions in the future.

TABLE OF CONTENTS

1. BOX CONTENTS	5
2. FEATURES	6
3. INFORMATION REGARDING USE OF THE WHEEL	8
4. INSTALLATION OF THE QUICK RELEASE HOLDER	13
<i>Installation of the quick release holder for latch base</i>	<i>14</i>
<i>Installation of the quick release holder for screw base</i>	<i>17</i>
5. MAPPING	21
<i>Mapping for PC</i>	<i>21</i>
<i>Mapping for PS4™/PS5™</i>	<i>22</i>
<i>Mapping for Xbox Series/Xbox One</i>	<i>23</i>
6. LED OPERATION	24
<i>How to enter/exit the LED menu</i>	<i>25</i>
<i>How to adjust the LED intensity</i>	<i>27</i>
<i>How to change the LED mode: GT3 or Formula</i>	<i>28</i>

7. CUSTOMIZATION OF THE PADDLE

SHIFTERS.....29

How to adjust the paddle shifter spacing...31

How to adjust the paddle shifter reach.....33

*How to adjust the magnetic sensitivity and
the sound level of the paddle shifters35*

9. FAQ AND TECHNICAL SUPPORT37



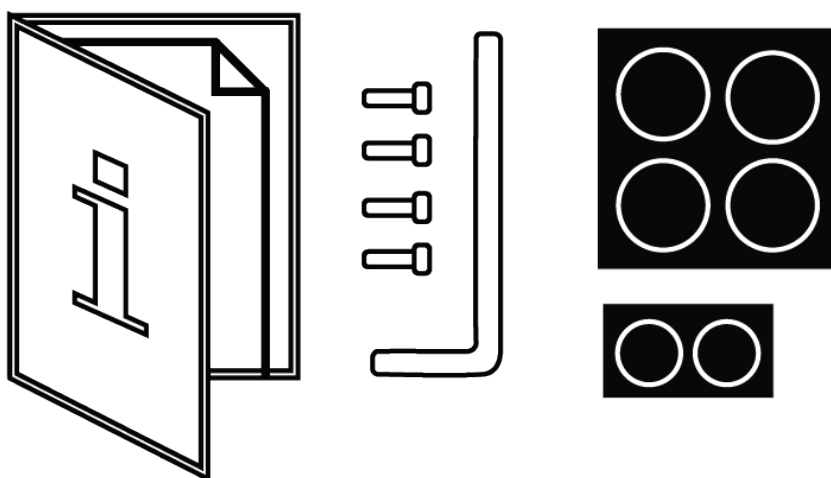
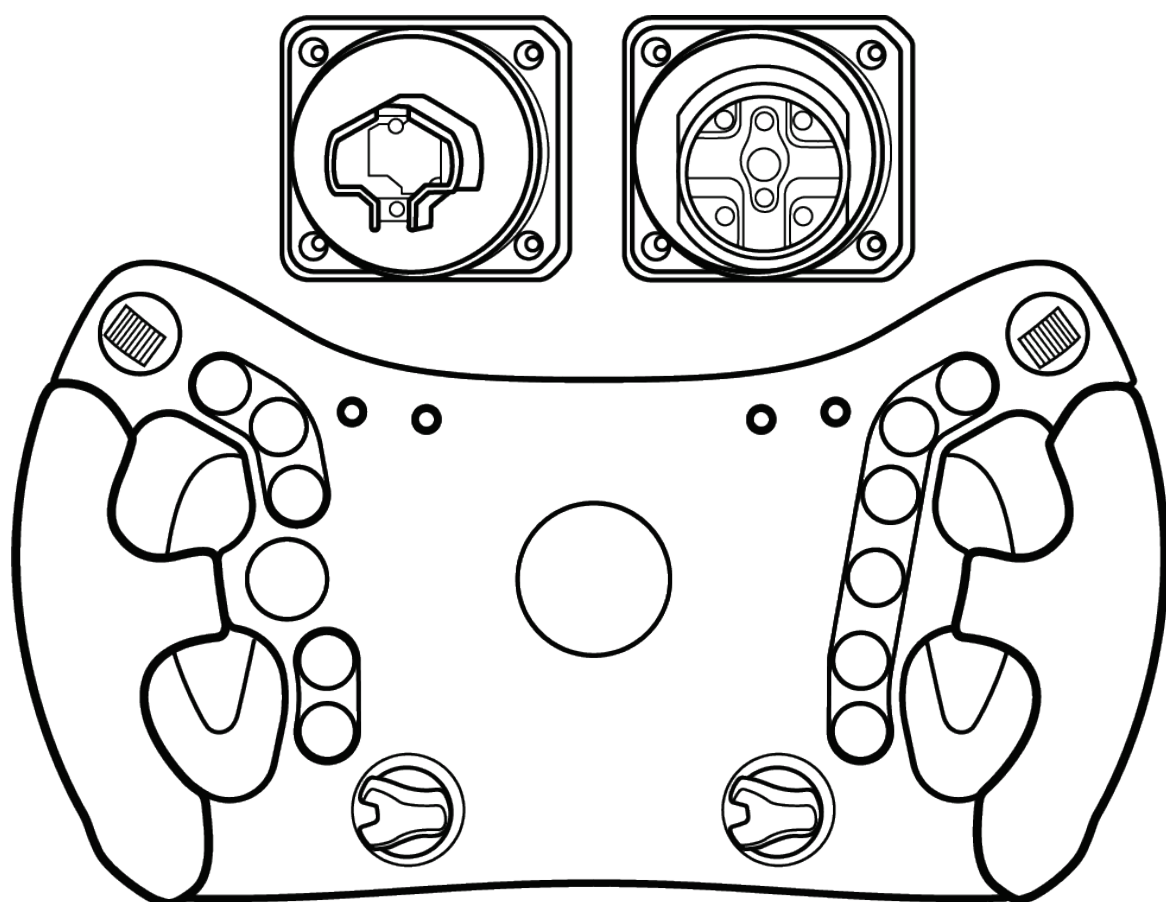
FERRARI 488 GT3 WHEEL ADD-ON

Be part of the legend of GT racing with Ferrari 488 GT3 Wheel Add-On, a wheel designed for performance, and compatible with all Thrustmaster wheel bases.

This manual will help you install and use your Ferrari 488 GT3 Wheel Add-On under the best conditions. Before getting started racing, carefully read the instructions and the warnings: they will help you get the most enjoyment out of your product.

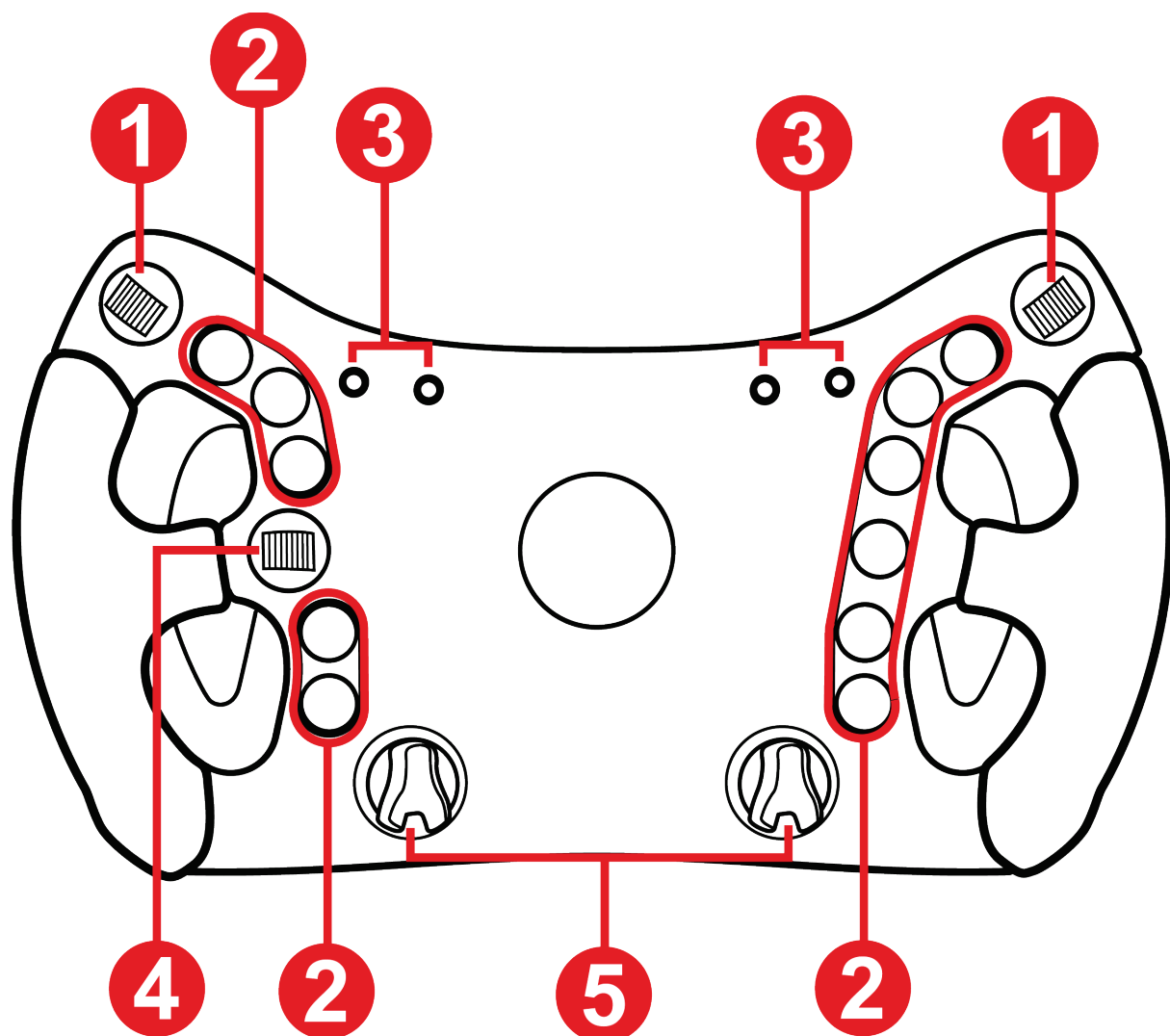


1. Box contents

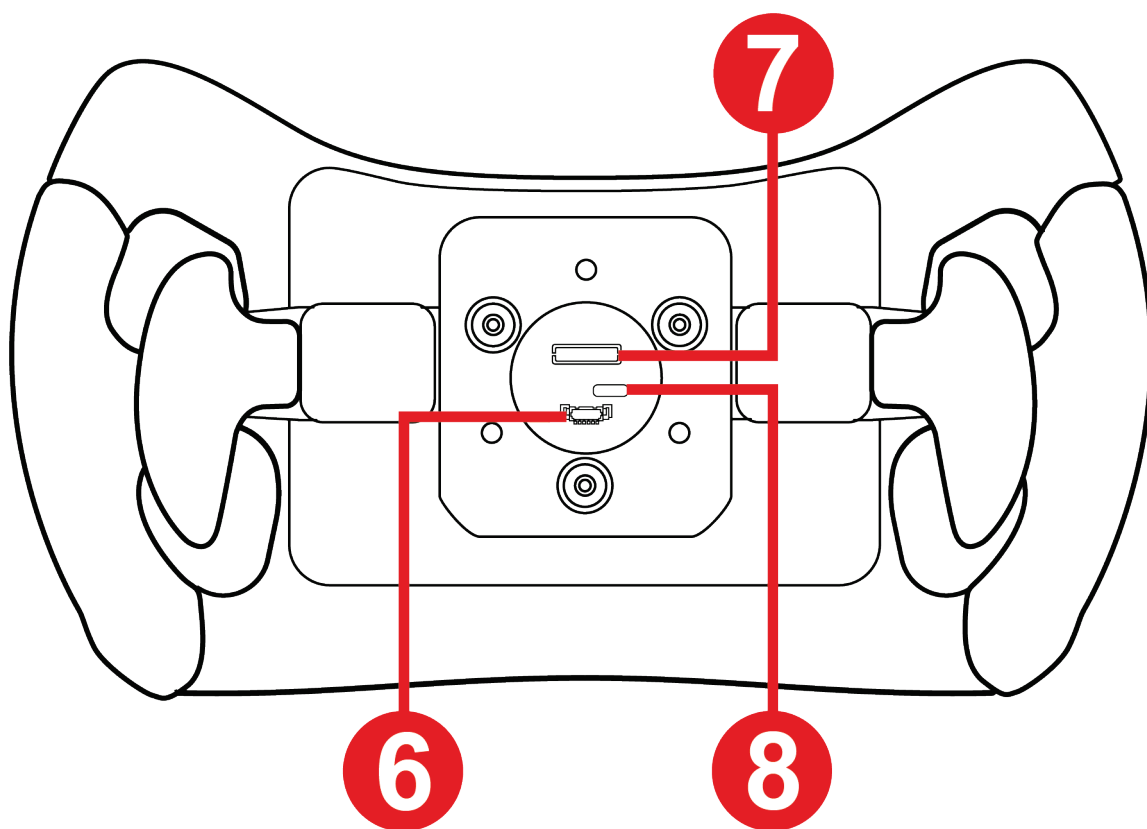




2. Features



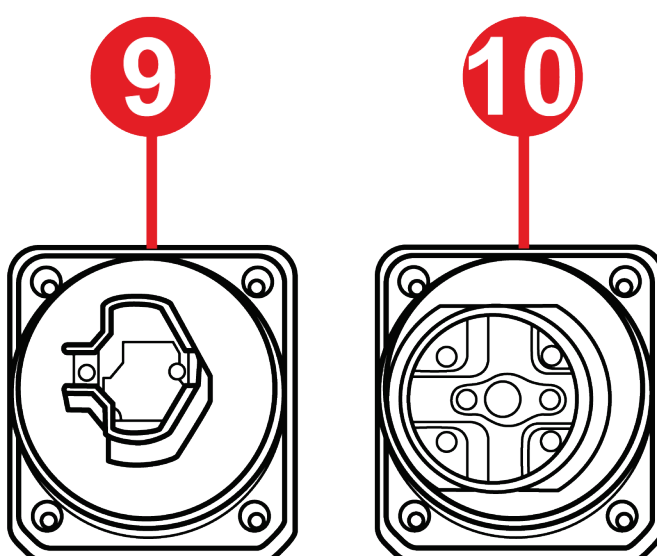
- ❶ Thumb encoders
- ❷ 11 action buttons
- ❸ RPM LEDs and race data (flags, pits)
- ❹ D-pad
- ❺ Rotary encoders



⑥ Connection port for quick release holder for screw base

⑦ Connection port for quick release holder for latch base

⑧ USB-C port (if a firmware update is required – cable not included)



⑨ Quick release holder for latch base

⑩ Quick release holder for screw base



3. Information regarding use of the wheel



Documentation

Before using this product, carefully read this documentation again, and keep it for future reference.



Electrical shock

- Keep the product in a dry location and do not expose it to dust or sunlight.
- Do not twist or pull on the connectors and cables.
- Follow the connection directions.
- Do not spill any liquid on the product or its connectors.
- Do not short-circuit the product.
- Never dismantle the product (except in the cases of customization specified in this manual); do not throw it onto a fire and do not expose it to high temperatures.
- Do not open up the device: there are no user-serviceable parts inside. Any repairs must be carried out by the manufacturer, a specified agency or a qualified technician.



Securing the gaming area

- Do not place any object in the gaming area which may disrupt the practice of the user, or which may provoke an inappropriate movement or an interruption by another person (coffee cup, telephone, keys, for example).
- Do not cover the power cables with a carpet or rug, blanket or covering or any other item, and do not place any cables where people will be walking.



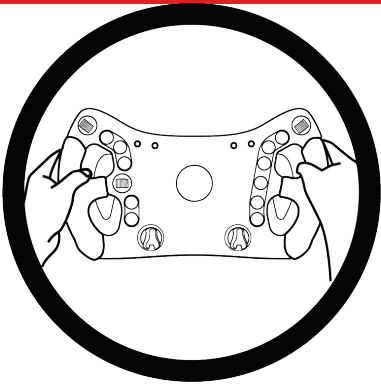
Injuries due to Force Feedback and repeated movements

Using a Force Feedback racing wheel may cause muscle or joint pain. To avoid any problems:

- Warm up beforehand, and avoid lengthy periods of practice.
- Take a 10 to 15-minute break after each hour of practice.
- If you feel any fatigue or pain in your hands, wrists, arms, feet or legs, press the button to turn off Force Feedback, power off the base and rest for a few hours before you start practicing again.
- If the symptoms or pains indicated above persist when you start practicing again, stop practicing and consult your doctor.
- Do not set the Force Feedback at a level that is too high in relation to your expertise and your physical condition.
- Keep the device out of the reach of people less than 16 years of age.
- Make sure that the base and the wheel are properly attached, as per the manual's instructions.



Risk of unforeseen, powerful and rapid rotations: never place a hand or an arm through the openings in the wheel rim, or in the wheel's trajectory of rotation.



When using the product, always leave both hands correctly positioned on the wheel without ever completely letting go.

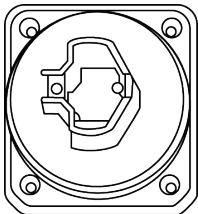
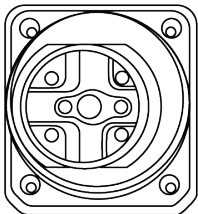


Product to be handled only by people **16 years of age or older.**



4. Installation of the quick release holder

Ferrari 488 GT3 Wheel Add-On comes with two quick release holders corresponding to the Thrustmaster base formats.

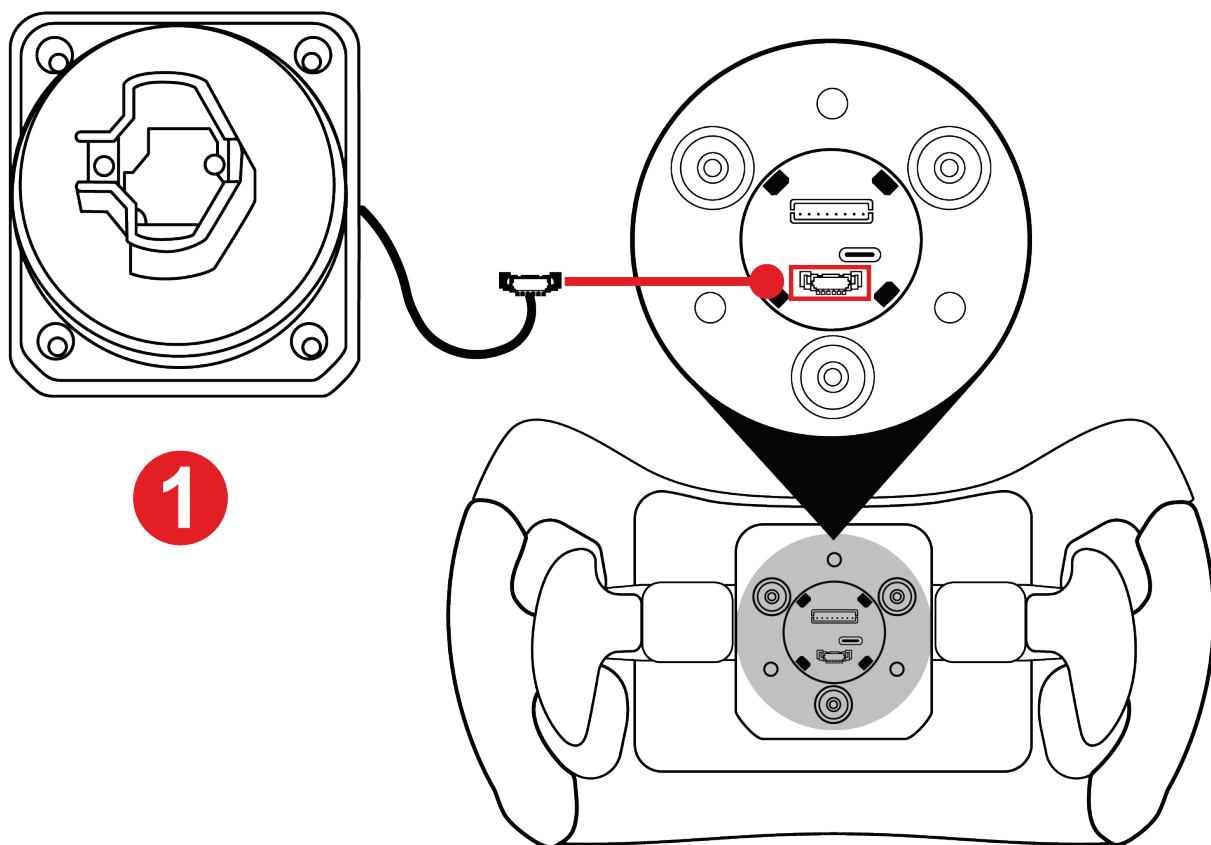
System	Compatibility
 Quick release holder for latch base	T818, T818 Ferrari SF1000 Simulator and future Thrustmaster bases.
 Quick release holder for screw base	T-GT / T-GT II Servo Base, T300 RS Servo Base, TS PC Racer, TS-XW, TX Racing Wheel Servo Base, TS-XW Servo Base.



Before each use, verify that **Ferrari 488 GT3 Wheel Add-On** is still properly attached to the support, as per the manual's instructions for the base.



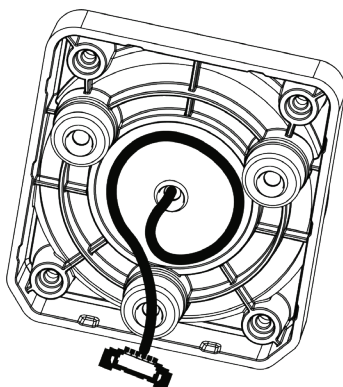
Installation of the quick release holder for latch base

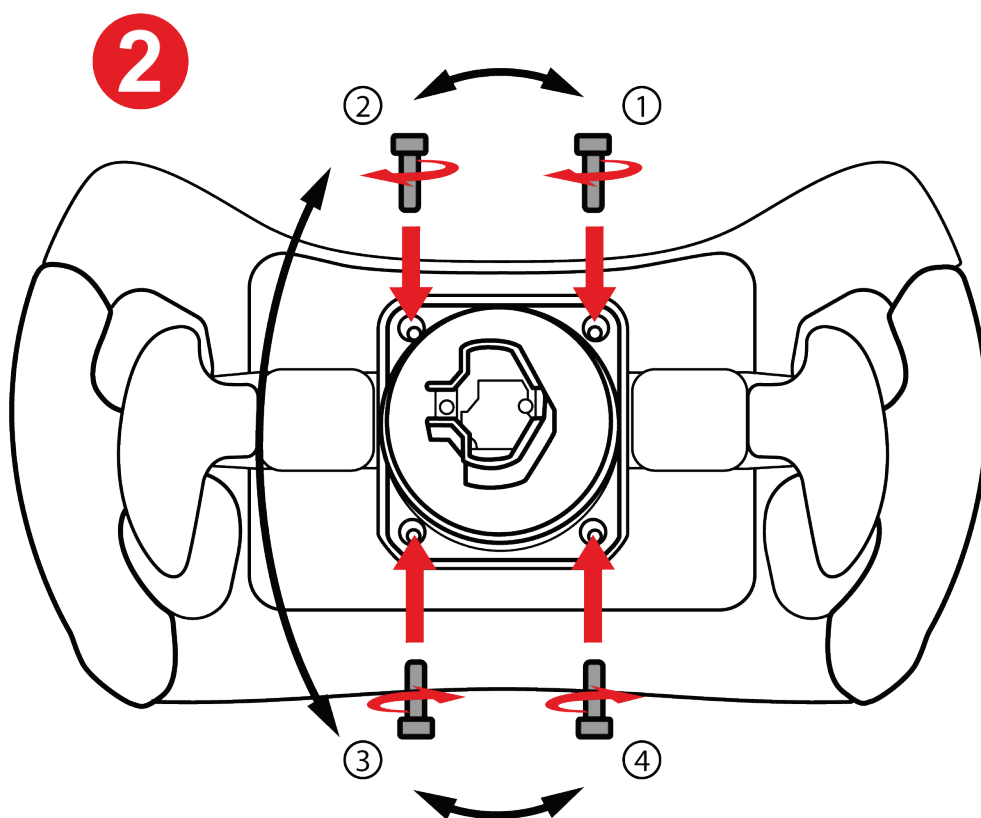


1 Plug the quick release holder connector into the corresponding port on the back of the wheel.



To avoid pinching the cable, retract it into its housing before screwing the holder.

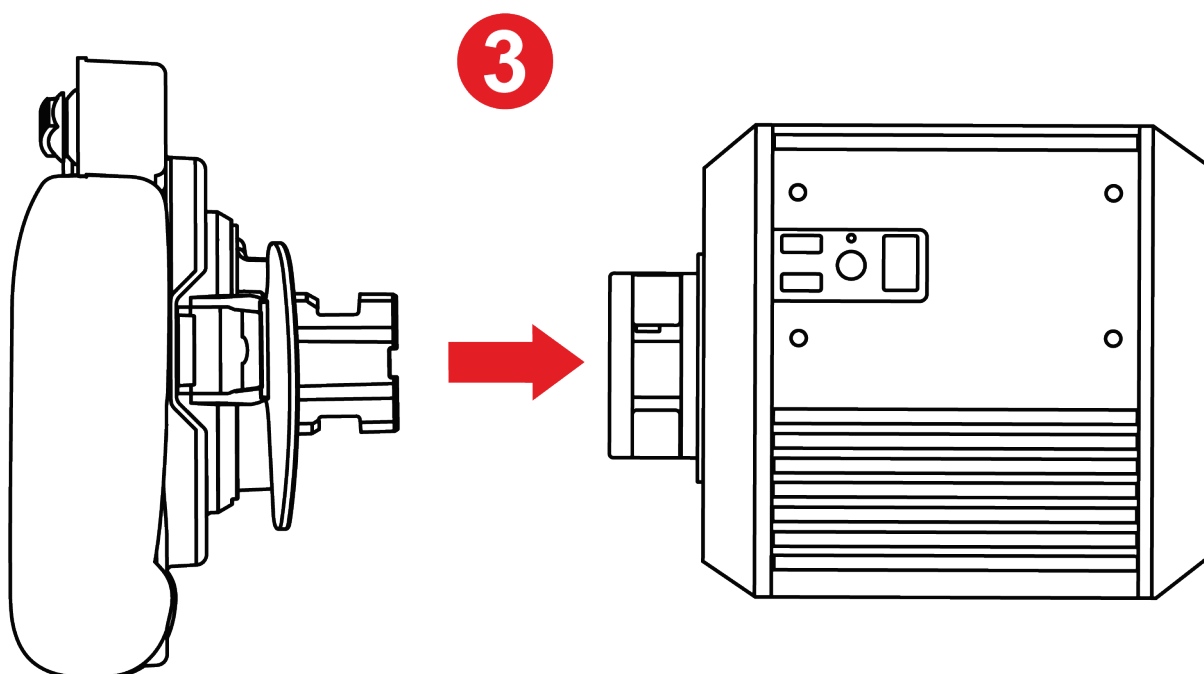




2 Insert the quick release holder and tighten it using the Torx wrench supplied.



When mounting the holder, do not overtighten the screws.



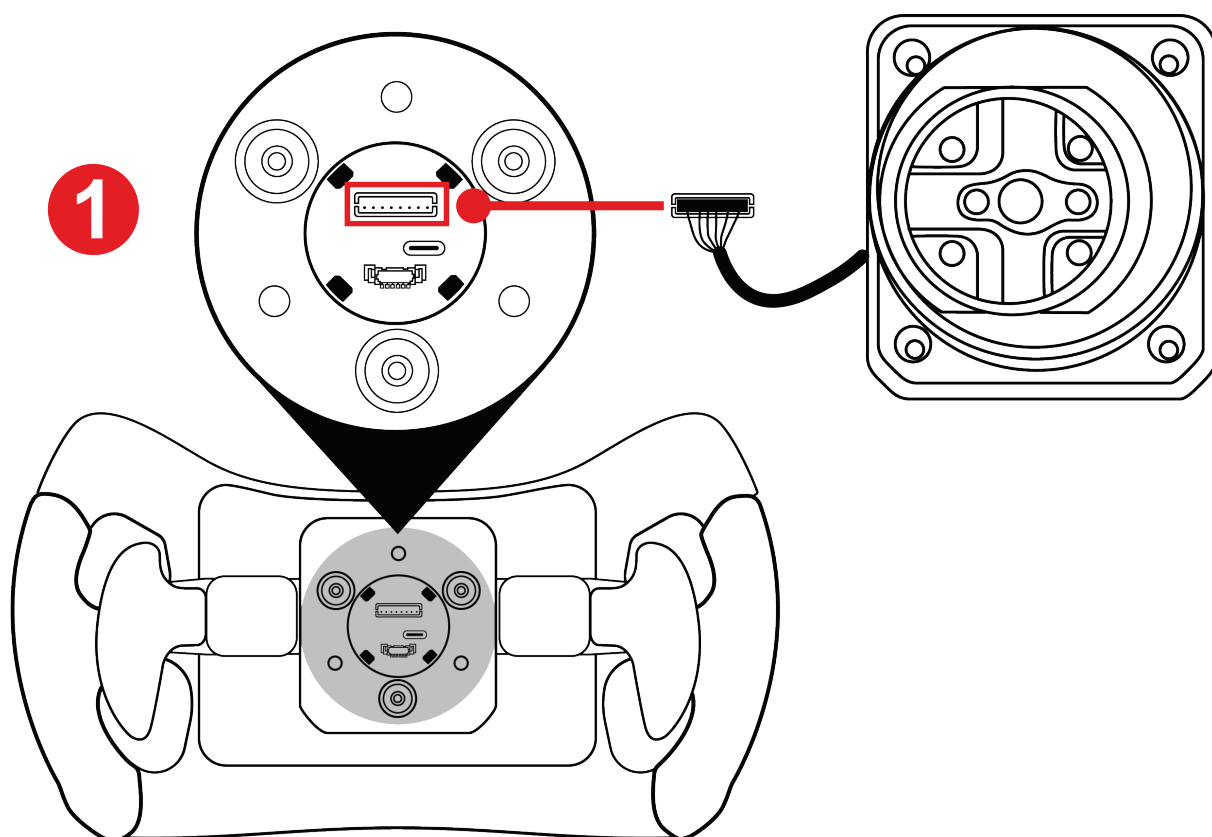
3 Mount the wheel onto the base.



Follow the installation procedure specified in the user manual of the base.



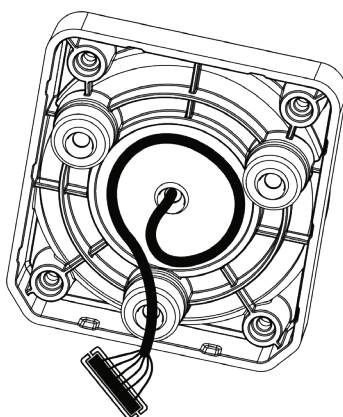
Installation of the quick release holder for screw base

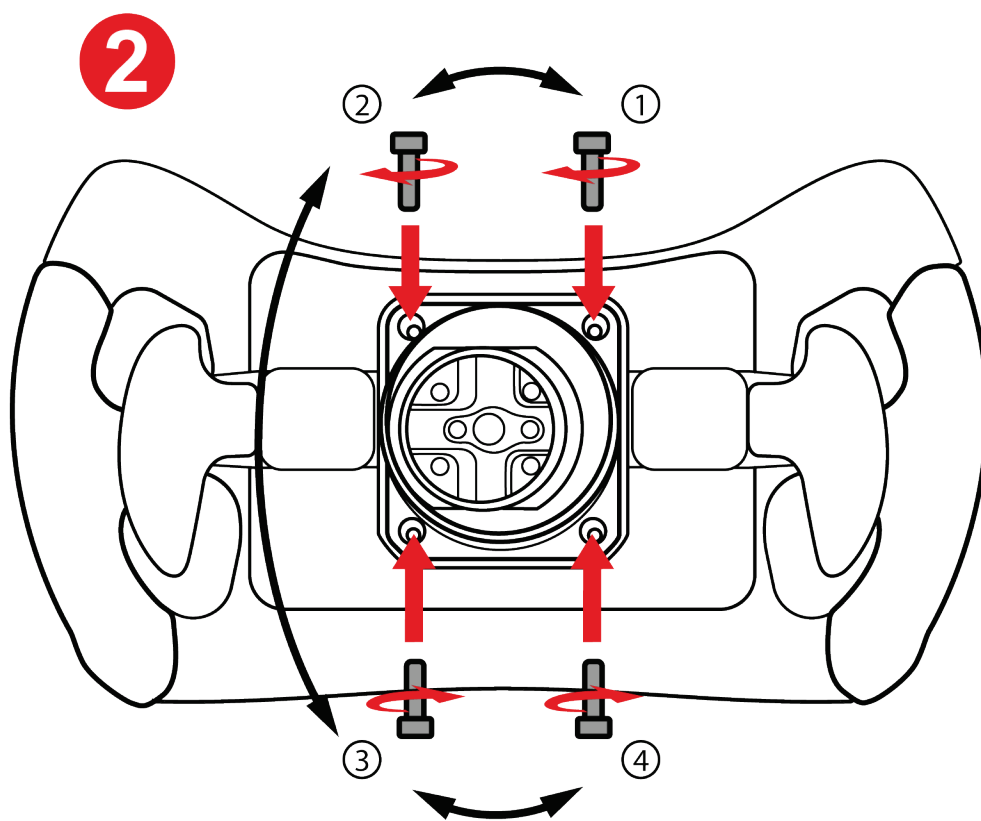


1 Plug the quick release holder connector into the corresponding port on the back of the wheel.



To avoid pinching the cable, retract it into its housing before screwing the holder.

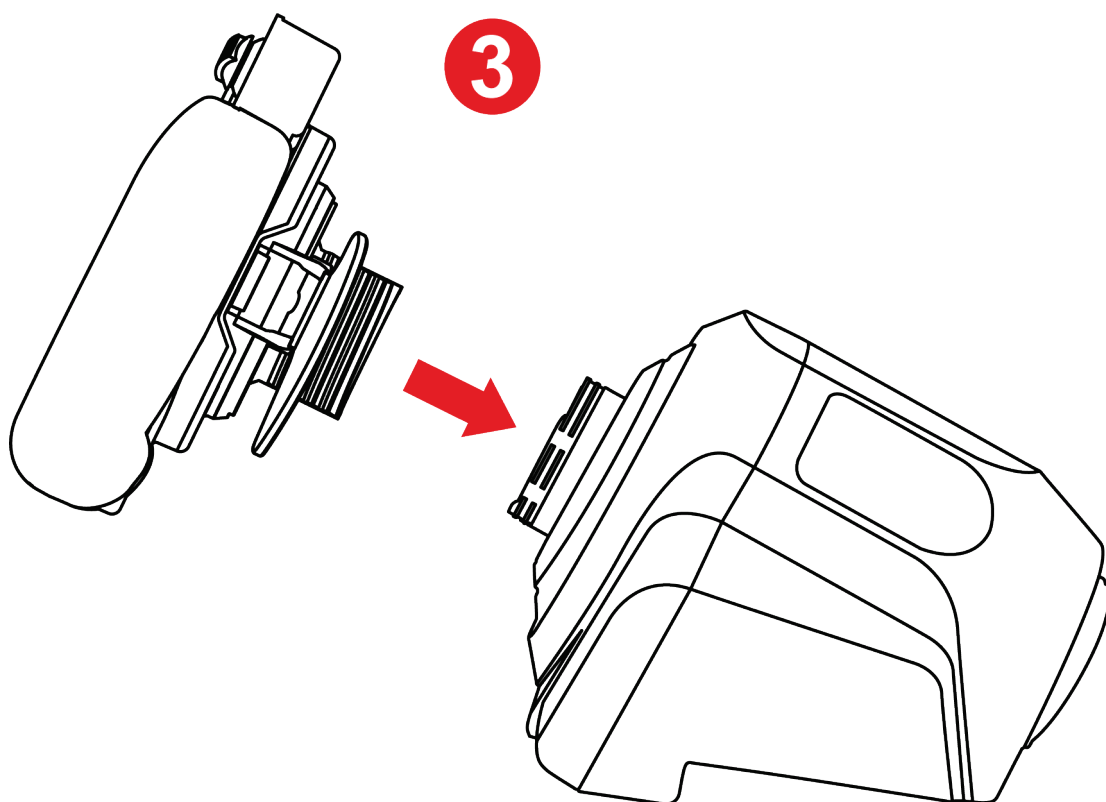




2 Insert the quick release holder and tighten it using the Torx wrench supplied.



When mounting the holder, do not overtighten the screws.



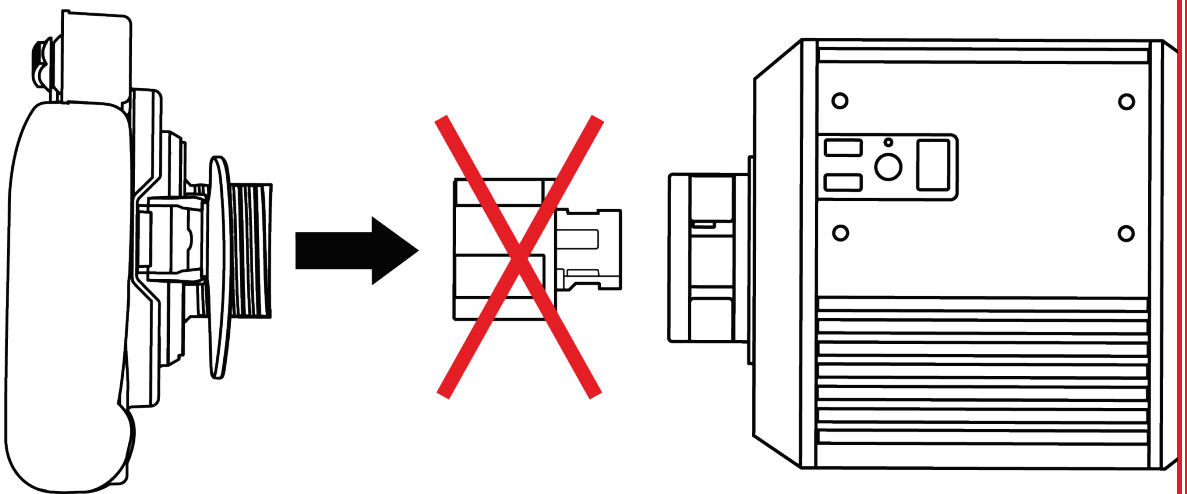
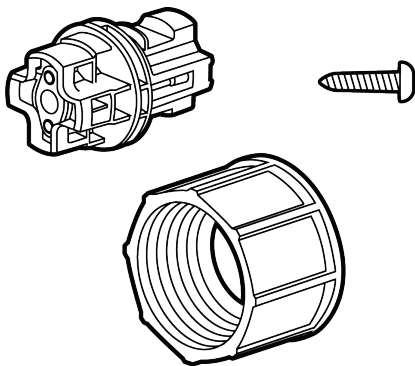
3 Mount the wheel onto the base.



Follow the installation procedure specified in the user manual of the base.



Never connect the Quick Release Adapter (supplied with the T818 base and sold separately) to the quick release holder for screw base if you intend to use it on a T818 base.

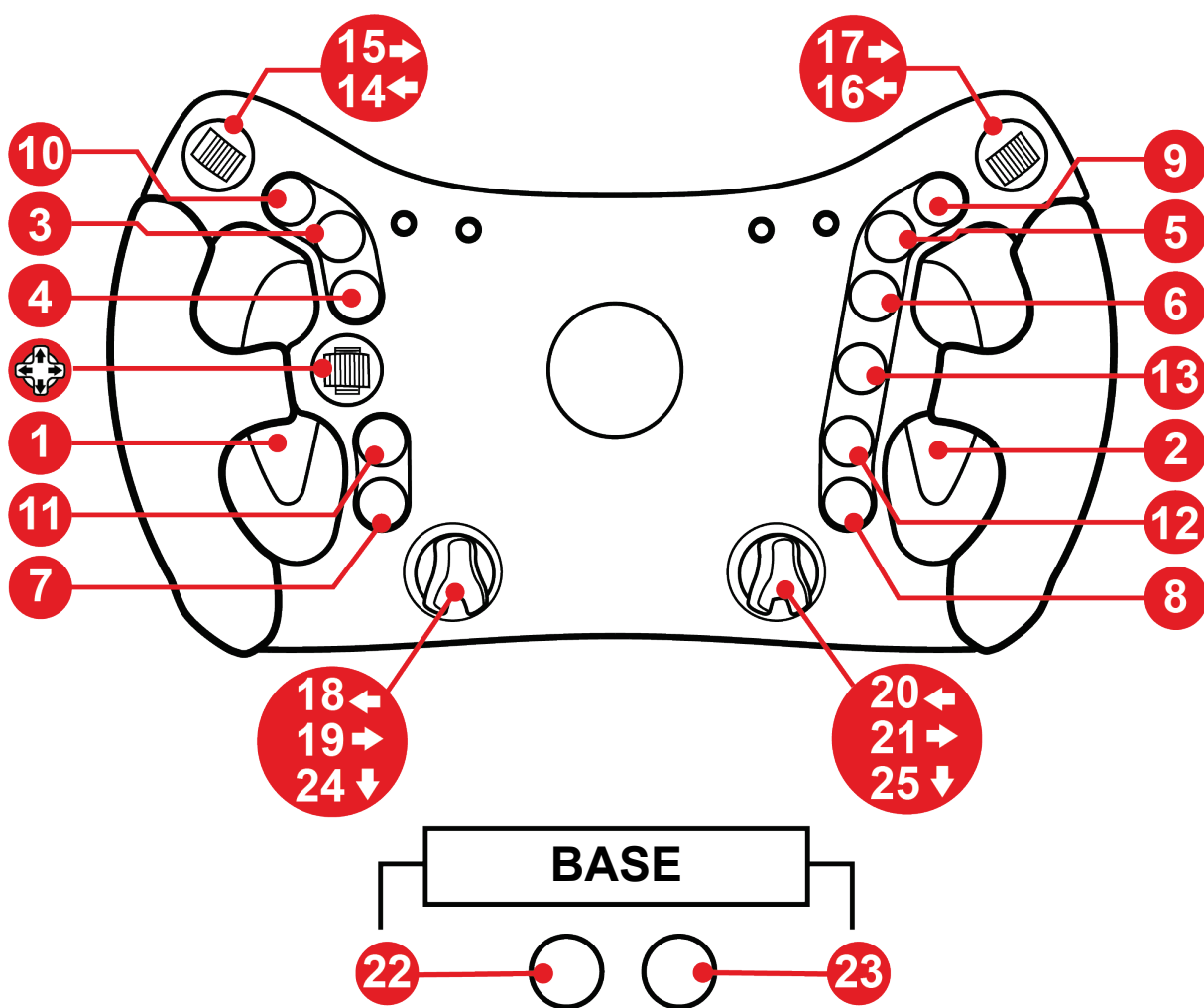


For use on a T818 base or a base equipped with a connector for latch base, use only the **quick release holder for latch base** supplied with **Ferrari 488 GT3 Wheel Add-On**.



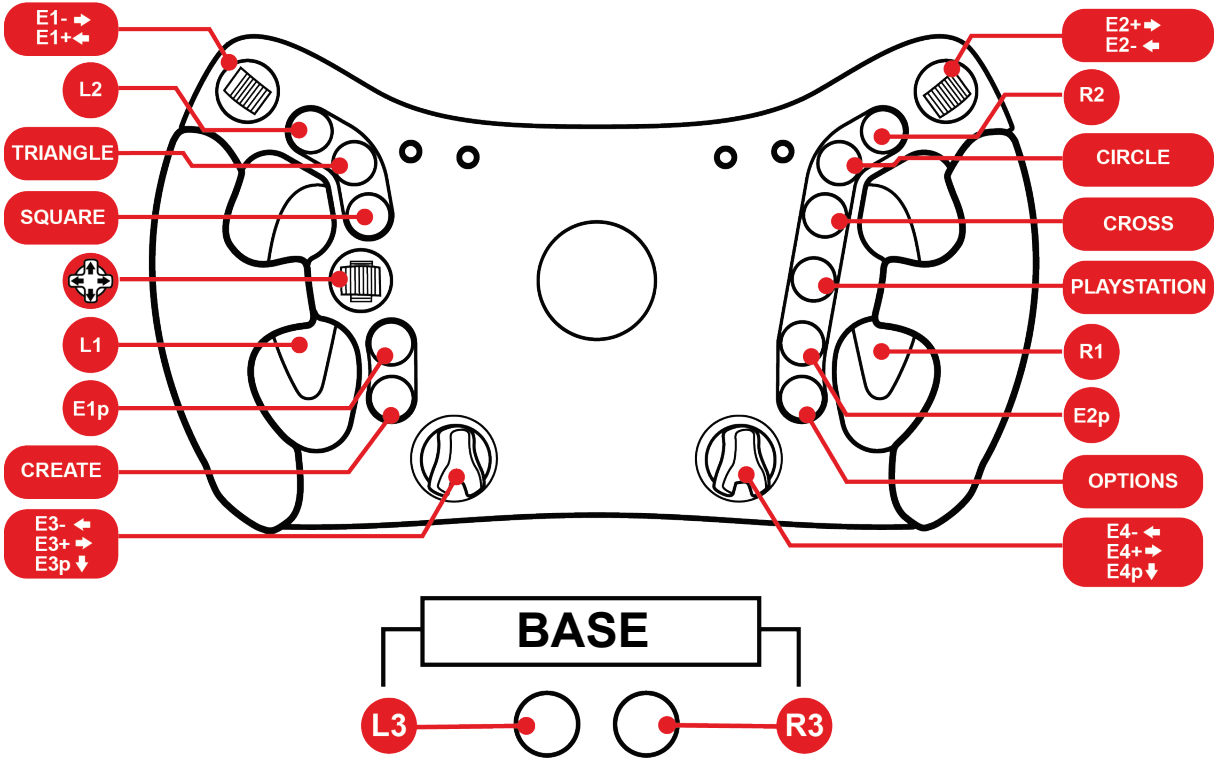
5. Mapping

Mapping for PC



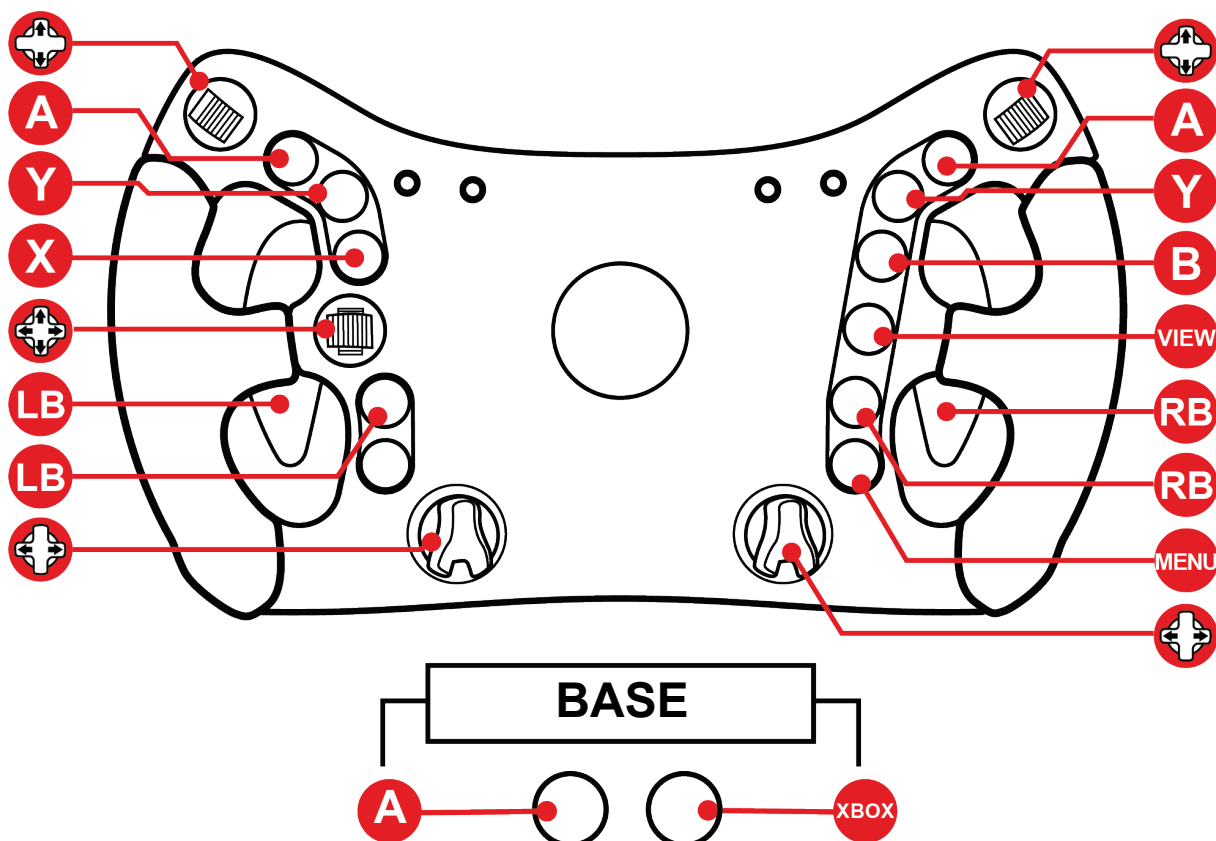


Mapping for PS4™/PS5™





Mapping for Xbox Series/Xbox One



On Xbox Series et Xbox One:

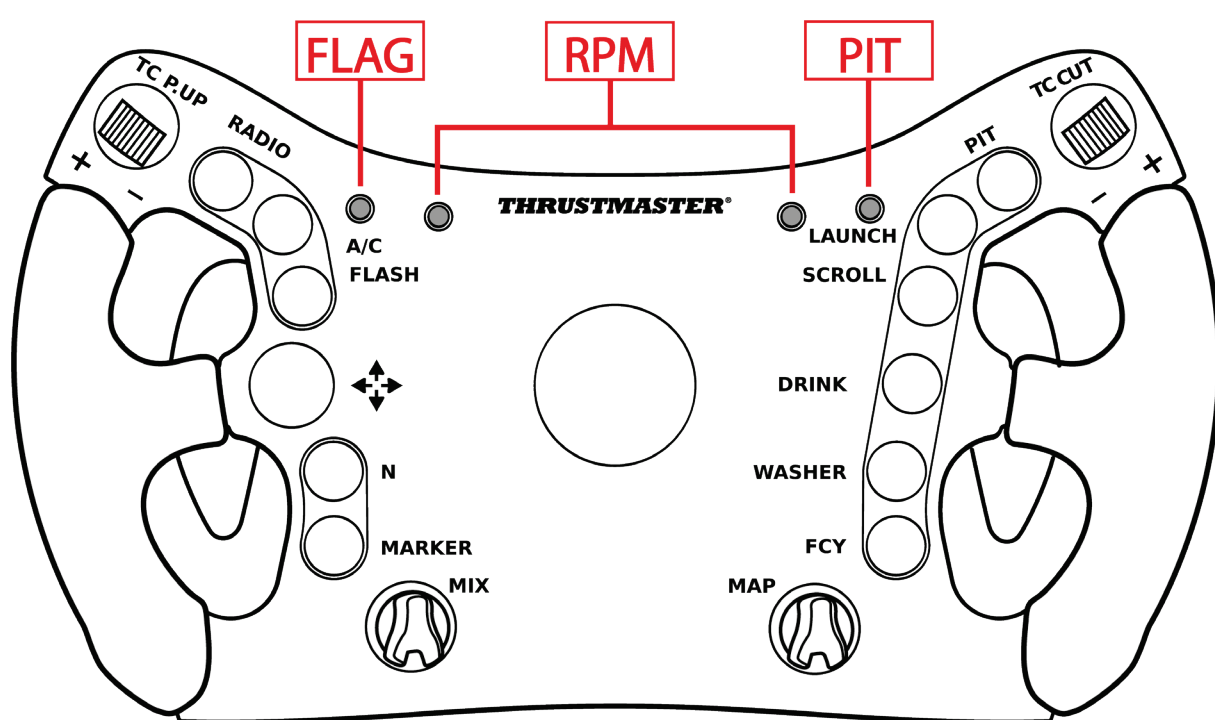
- The LEDs on Ferrari 488 GT3 Wheel Add-On are not functional due to console protocol restrictions.
- Some functions (encoders, number of buttons) are limited by the console protocol.



6. LED operation

Ferrari 488 GT3 Wheel Add-On displays race data via the LEDs: flag, pit and RPM.

The data displayed can be customized (intensity and color of the RPM LEDs), depending on the mode (GT3 or Formula).

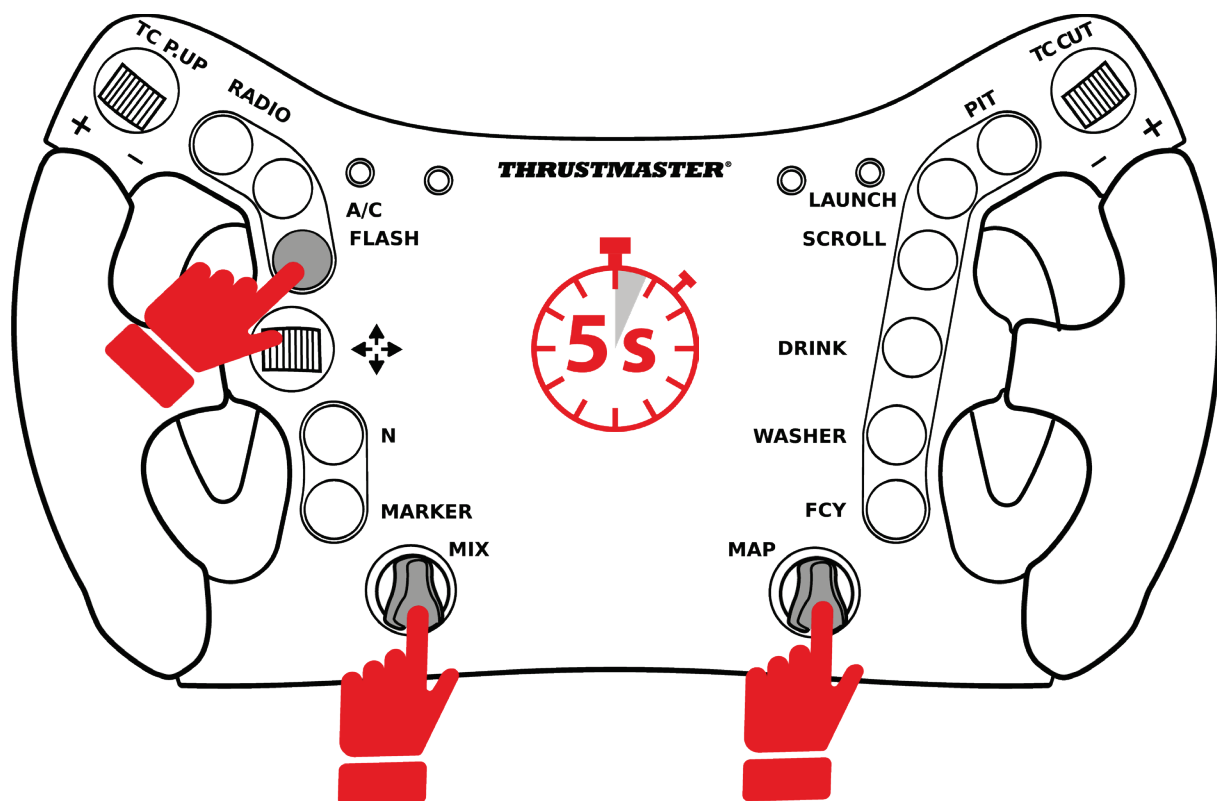


The LEDs are functional on PC and PS4™/PS5™.

On Xbox Series and Xbox One, the LEDs are not functional due to console protocol restrictions.



How to enter/exit the LED menu



- To enter the LED menu, simultaneously press the **FLASH** button and both **rotary encoders** for **5 seconds**, then release them.

- To exit the LED menu, simultaneously press the **FLASH** button and both **rotary encoders**, then release them.



FLAG

RPM

PIT



Enter the LED menu: the FLAG and PIT LEDs and one of the RPM LEDs (red on the left, or blue on the right) light up.



Exit the LED menu: all four LEDs turn off.



How to adjust the LED intensity

- Enter the LED menu by simultaneously pressing the **FLASH** button and both **rotary encoders** for 5 seconds, then release them.
- Turn the **left encoder (MIX)** to the left to decrease intensity, or to the right to increase intensity.



- Exit the LED menu by simultaneously pressing the **FLASH** button and both **rotary encoders**, then release them.



How to change the LED mode: GT3 or Formula

- Enter the LED menu by simultaneously pressing the **FLASH** button and both **rotary encoders** for **5 seconds**, then release them.
- Turn the **right encoder (MAP)** to the left to select the GT3 mode (red LED), or to the right to select the Formula mode (blue LED).



GT3 mode (default mode)



FORMULA mode

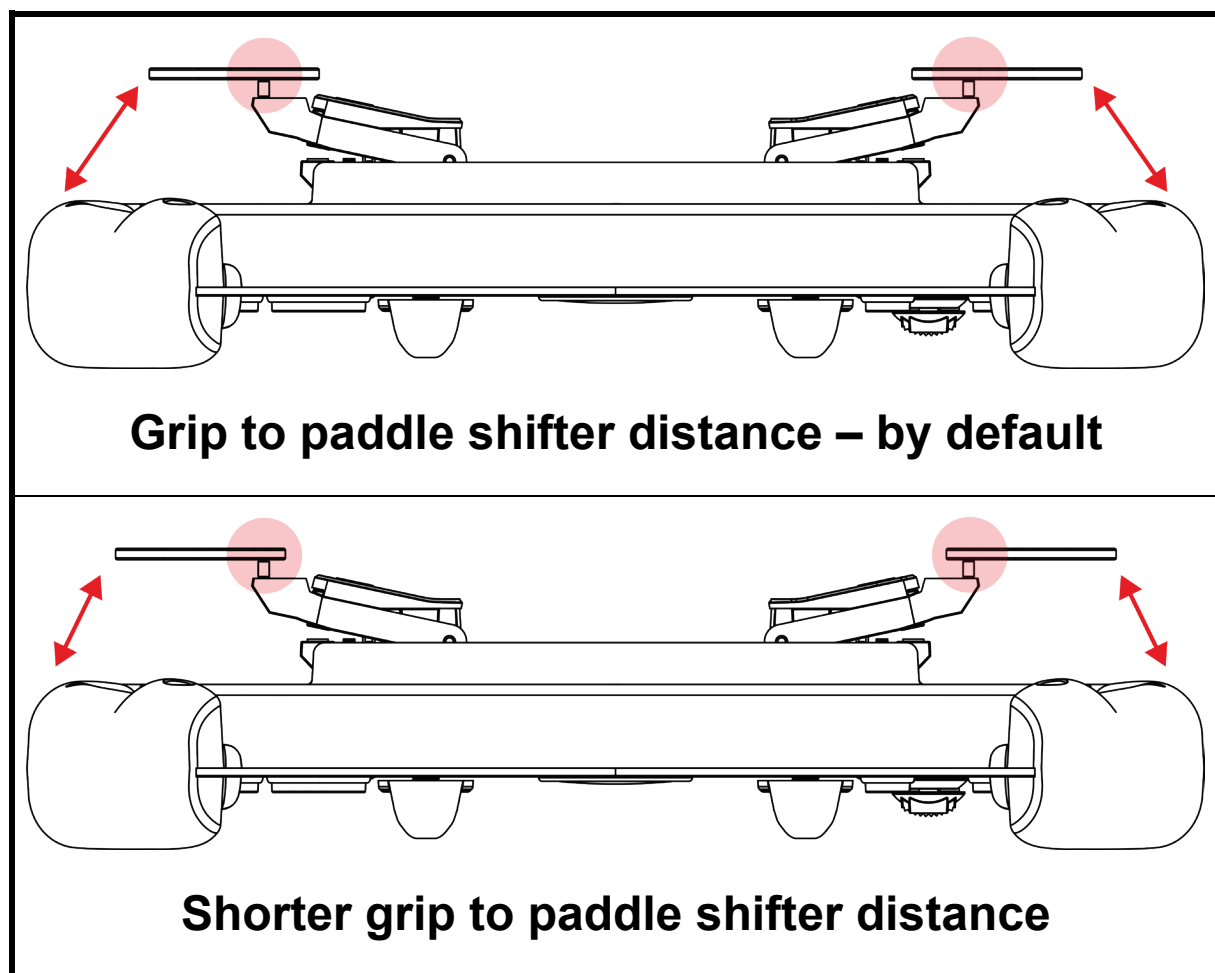
- Exit the LED menu by simultaneously pressing the **FLASH** button and both **rotary encoders**, then release them.



7. Customization of the paddle shifters

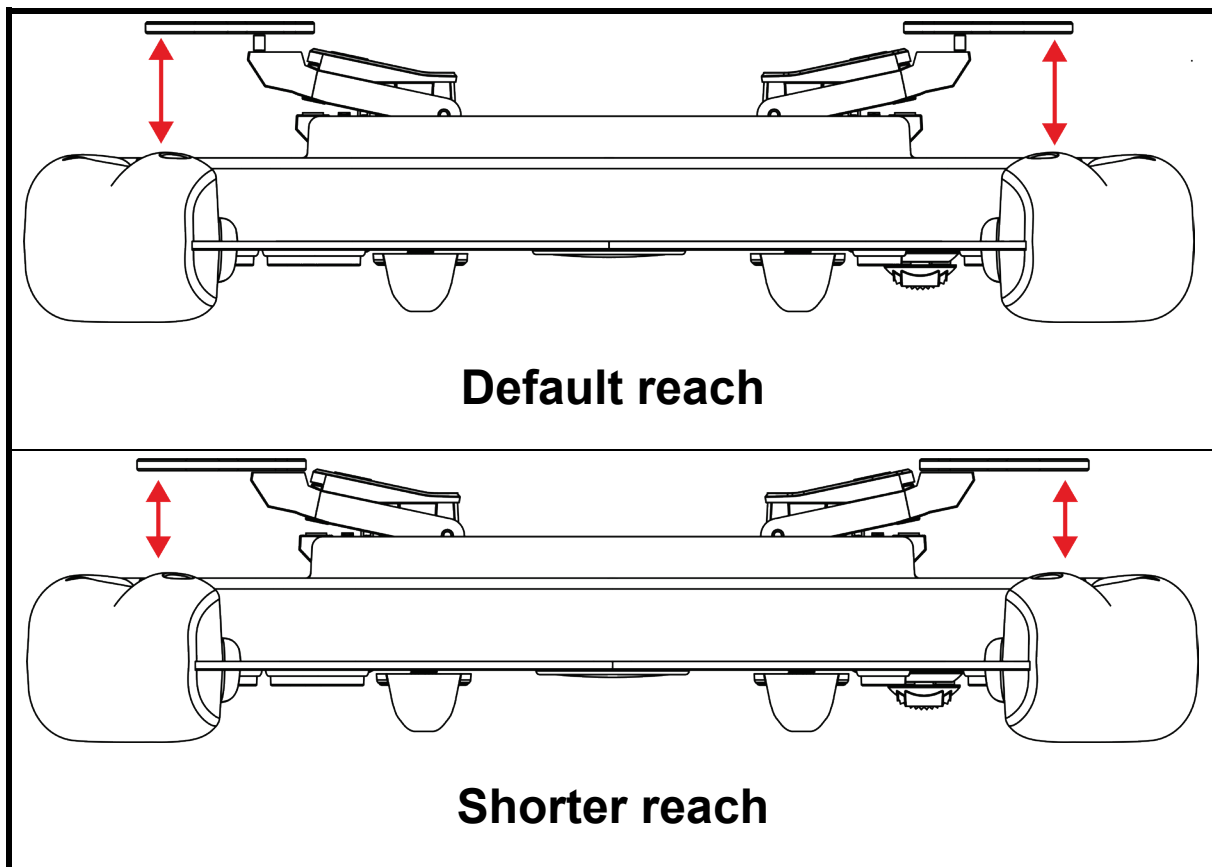
The paddle shifters of **Ferrari 488 GT3 Wheel Add-On** are adjustable in **spacing** and **reach**.

Spacing consists in adjusting the paddle shifter in width, which modifies the distance between the grip and the paddle shifter.

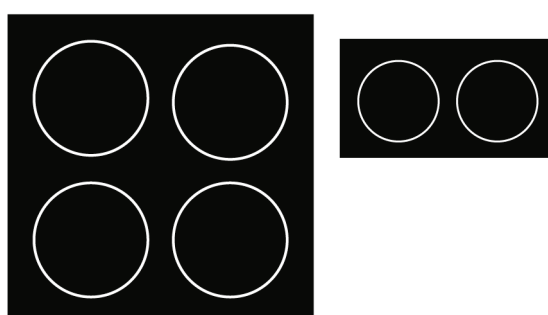




Adjusting the **reach** using the spacers modifies the paddle shifter activation distance.

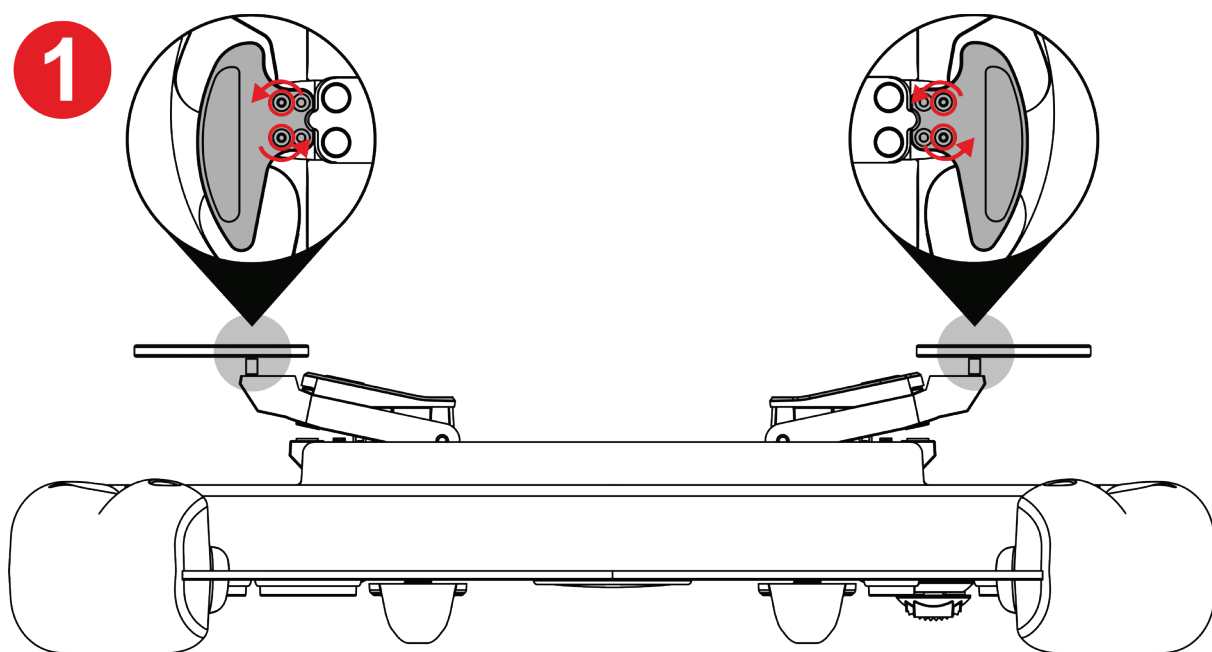


It is also possible to adjust the **magnetic sensitivity** and **sound level** produced by the paddle shifters, using the supplied set of pads.

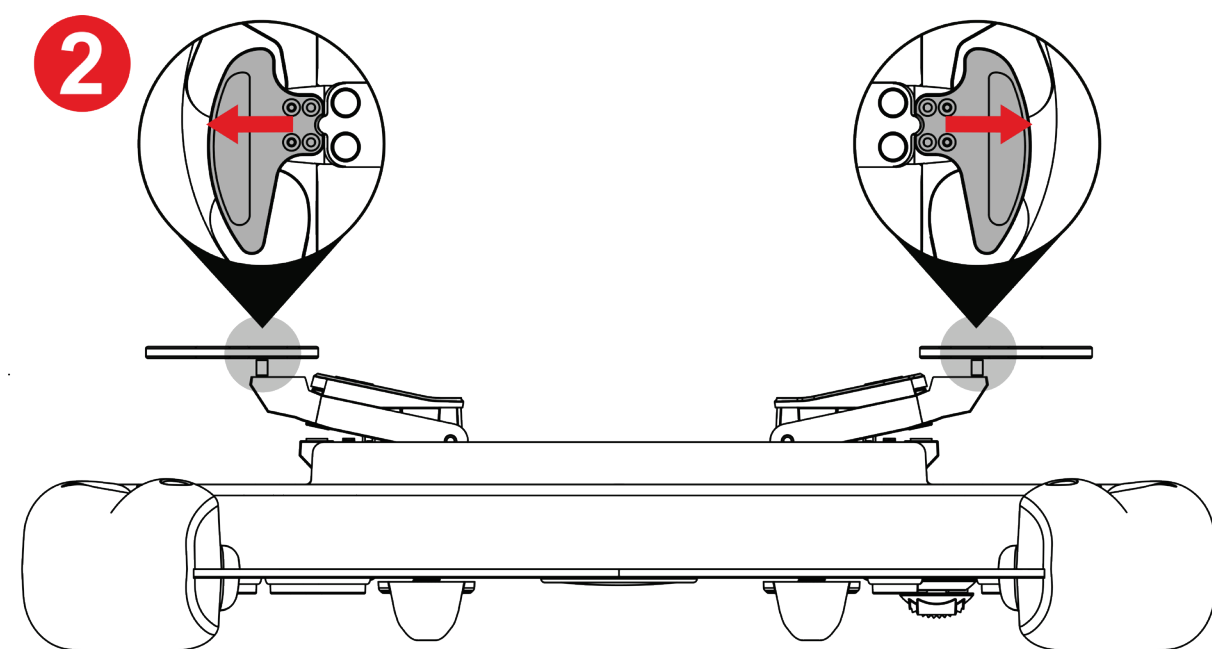




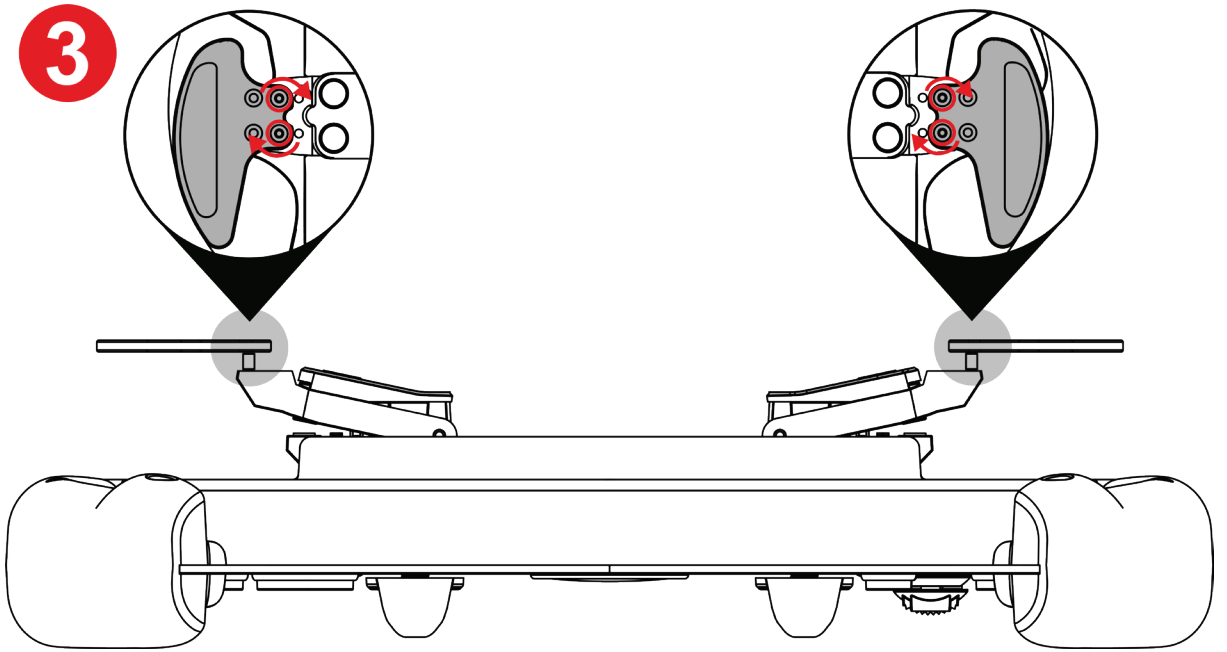
How to adjust the paddle shifter spacing



1 Unscrew the four paddle shifter screws using the Torx wrench supplied.



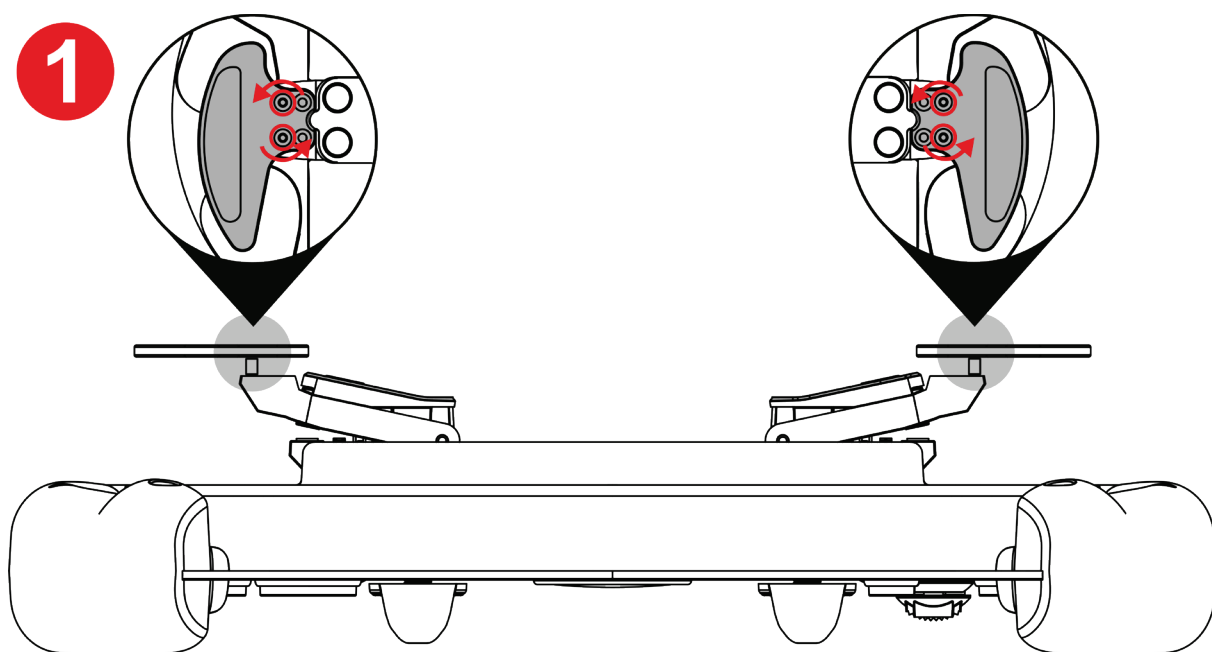
2 Shift the paddle shifters outwards to match the holes.



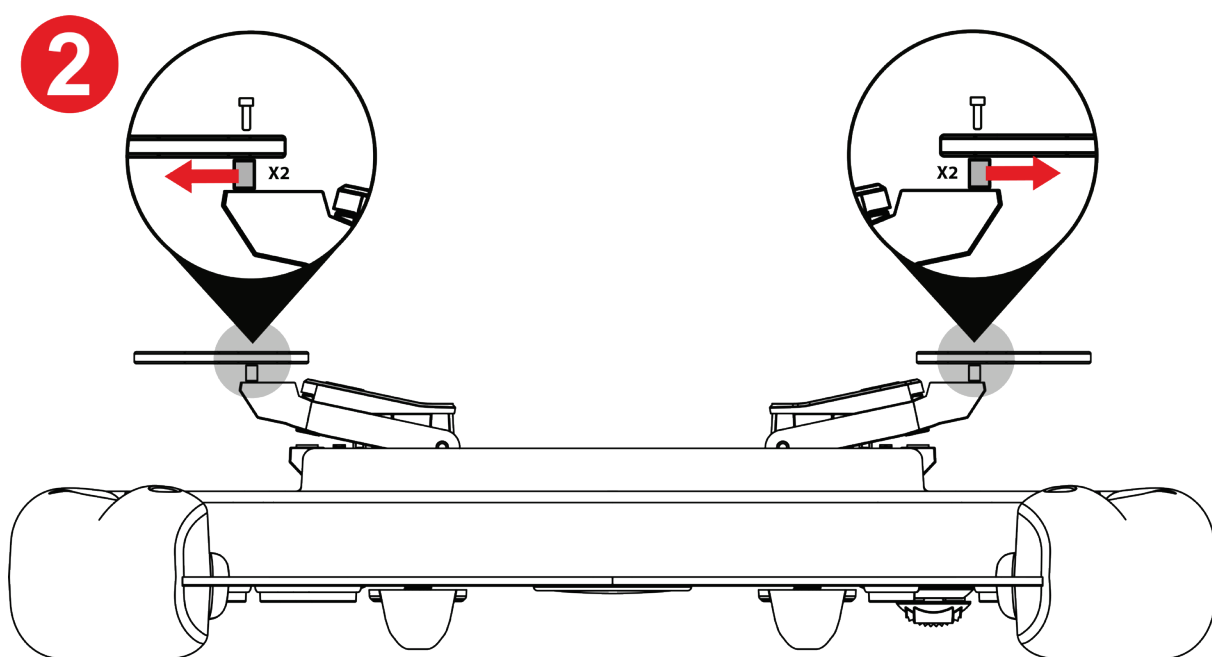
3 Tighten the four paddle shifter screws using the Torx wrench supplied.



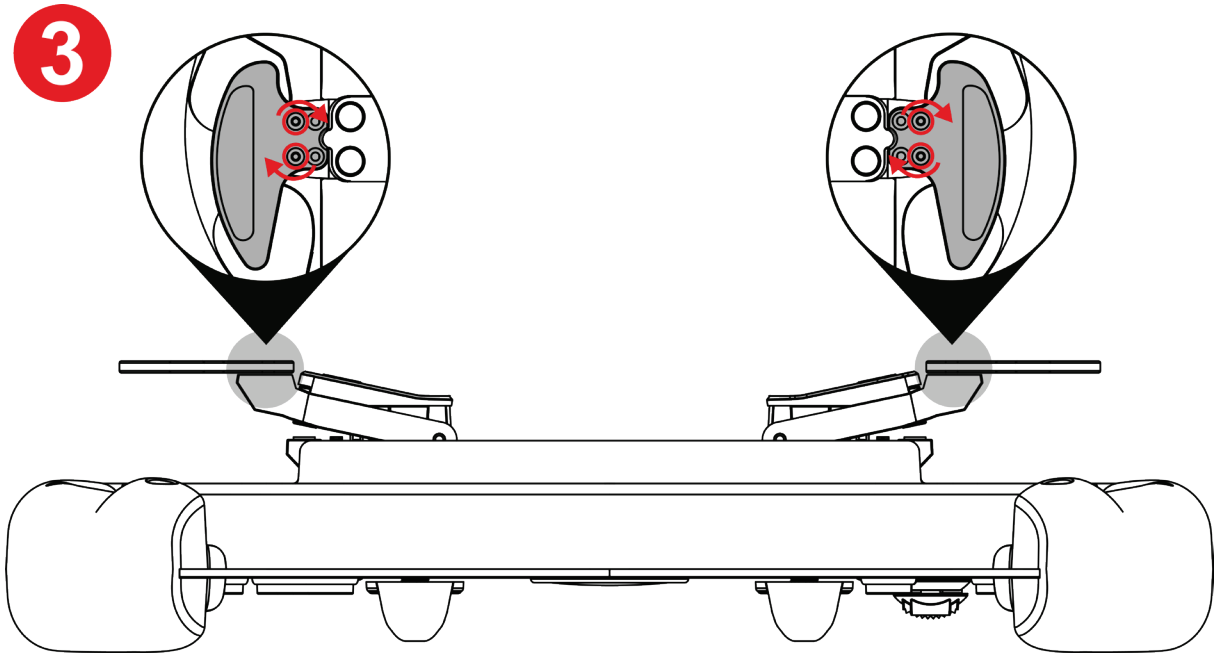
How to adjust the paddle shifter reach



1 Unscrew the four paddle shifter screws using the Torx wrench supplied.



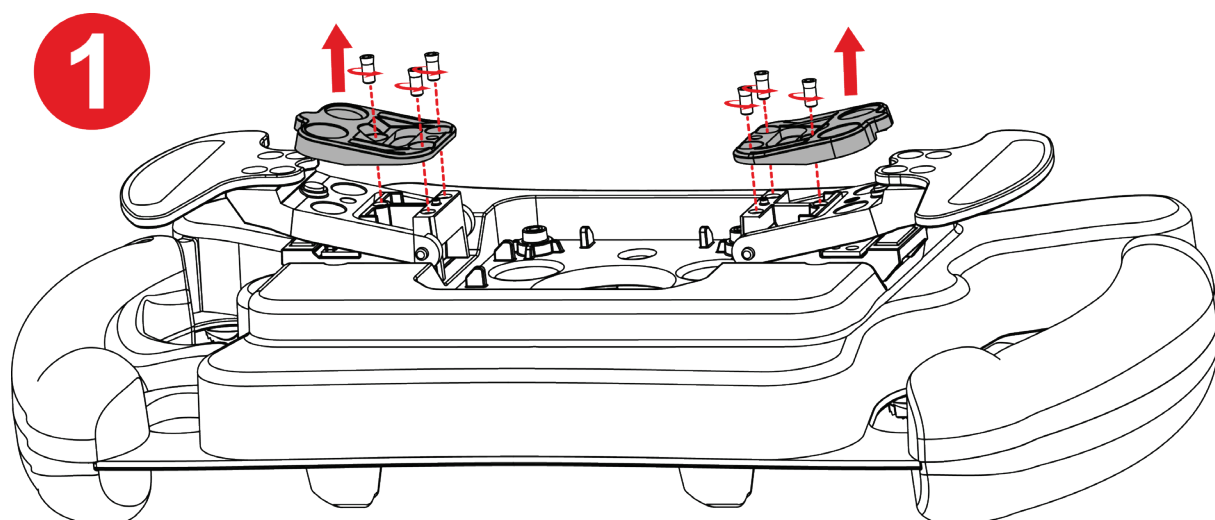
2 Remove the spacers.



3 Tighten the four paddle shifter screws using the Torx wrench supplied.

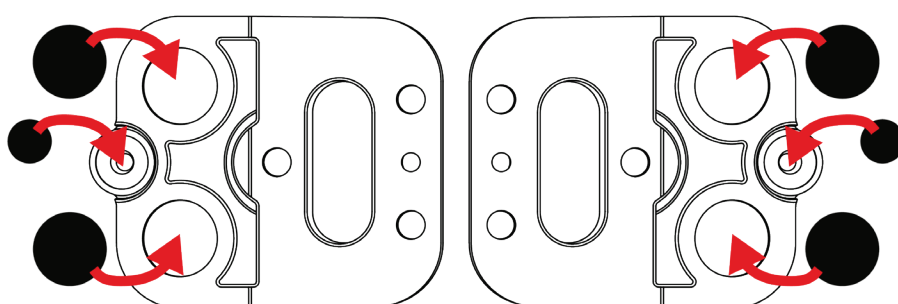
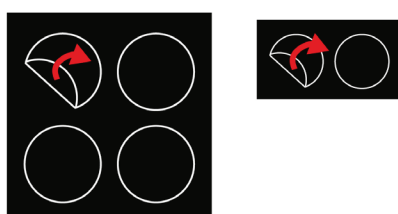


How to adjust the magnetic sensitivity and the sound level of the paddle shifters



➊ Remove the magnetic stops by unscrewing the six stop screws using the Torx key supplied.

➋



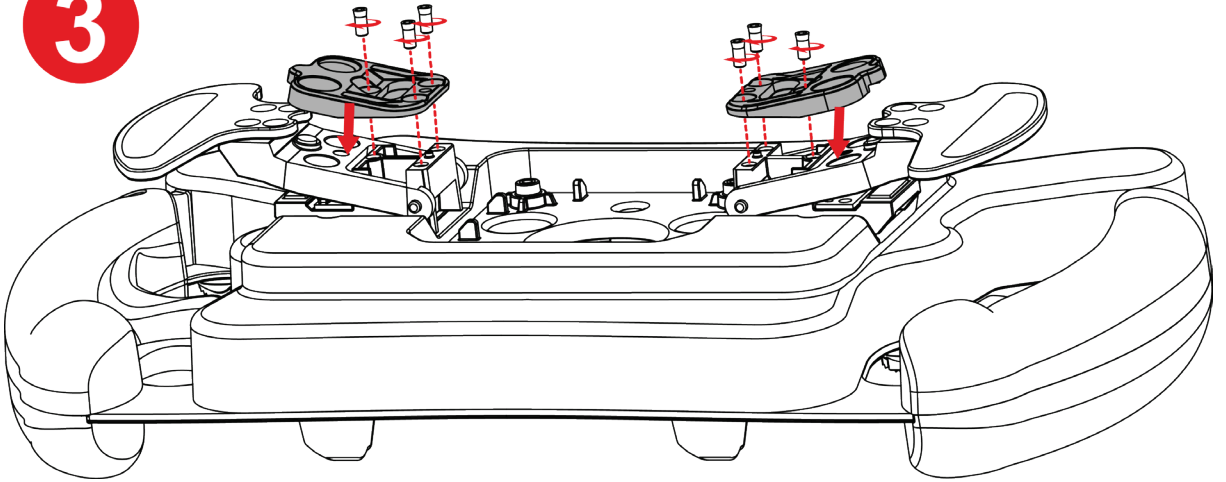
➋ Peel off the supplied pads and affix them in the appropriate places underneath the magnetic stops.



Refer to the **Magnetic sensitivity and paddle shifter sound attenuation table** for possible configurations and their effects.

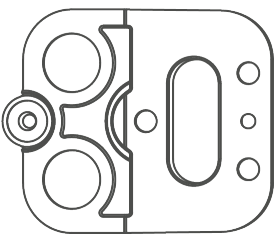
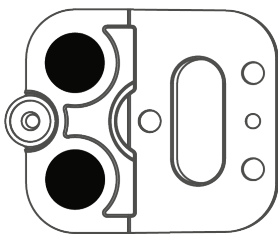
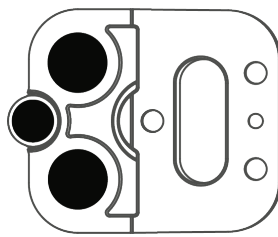



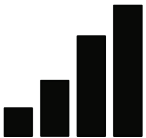
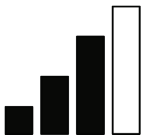
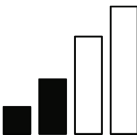


3



3 Reinstall the magnetic stops and tighten the six stop screws using the Torx wrench supplied.

Magnetic sensitivity and paddle shifter sound attenuation table

	 (by default)		
Magnetic sensitivity			
Sound			



9. FAQ and technical support

Do you have questions regarding Ferrari 488 GT3 Wheel Add-On, or are you experiencing technical problems? If so, visit the Thrustmaster technical support website:

<https://support.thrustmaster.com/product/ferrarif488gt3addon>.

On this page, you can also update the wheel's firmware.

