



INTERACTIVE DIGITAL BOARDS WR SERIES
For next era knowledge sharing

WR SERIES FOR TRULY ENGAGING BUSINESS AND EDUCATION

The end of the traditional whiteboard era has arrived. No more dried out whiteboard pens, missing eraser pad or necessity to take notes. The revolutionary WR Interactive Digital Boards offer an all-in-one meeting solution. They combine the power of a digital display, tablet, electronic whiteboard and video conference device and more.

Hisense's WR Interactive Digital Boards (65"/75"/86") have been designed to facilitate inspirational knowledge sharing in both business and educational environments. They are touch enabled and multiple people can use them at once to present, illustrate and share ideas and information. Creating a collaborative, communicative and interactive atmosphere that will make user-groups thrive.

Thanks to lightning fast computing and accurate touch sensitivity they deliver best-in-class operational experiences. And their wireless connecting, information sharing and video conferencing capabilities will make each meeting a pleasure to host or participate in.

RESEARCH* SHOWS THAT WATCHING PEOPLE DRAW ILLUSTRATIONS OR WRITING OUT INFORMATION HELPS THEIR AUDIENCE TO UNDERSTAND, PARTICIPATE AND REMEMBER MORE THAN THEY WOULD WITH PRE-CREATED CONTENT.

* Fiorella & Mayer, "Effects of Observing the Instructor Draw Diagrams on Learning From Multimedia Messages" in Journal of Educational Psychology, 2015



SUPERIOR INTERACTIVITY & PERFORMANCE

Hisense



Smooth Touch

The built-in whiteboard app allows users to smoothly write, draw and erase information on-screen through touch, either by hand or with a stylus pen.



Accurate as analog

The IR software precisely recognizes touch points as little as 2 mm making it as accurate as the experience of writing with pen and paper.



Collaborative interaction

The touchscreen recognizes up to 20 touches at once which is ideal for simultaneous use by meeting participants.



Intuitive controls

With your fingers you will, among other things, be able to switch between tasks, annotate content from any source, make handwritten notes, zoom in / out and undo changes.



Powerful Architecture

Expect unstoppable performance by an octa-core processor and 3+32GB large memory.



Versatile Operating System

The WR series support OPS (Open Pluggable Standard) which will give you the ability to choose between Windows and Android as your operating system to fit specific needs for applications or integration with other digital devices.



Smooth and speedy processing

The open Android 8.0 platform not only guarantees smooth processing, but also supports the installation of Android-based application.

Writing facts*:

- Writing delay: < 40 ms
- Writing accuracy: 2mm
- Writing point: 20 simultaneous touchpoints
- Writing scope: unlimited roaming
- Writing stroke optimization

Comparison with entry-level products*:

- Boot speed is 24 seconds: 21.7% faster
- Whiteboard app start speed is 1.2 seconds: 29.3% faster
- Opens a 150MB document in 5 seconds: 15.0% faster
- Writing fluency is 32.0% higher

HARDWARE TO IMMERSE YOUR CROWD

Hisense



4K Ultra HD

The 4K Ultra HD picture quality ensures perfect colour and rich details in all possible surroundings. With a high 85% NTSC (122.9% sRGB) colour gamut and 178° wide viewing angle.



Screen transmission

The WR series interactive digital boards can wirelessly connect with two or more auxiliary screen devices. Near-Field Communication (NFC) touch transmission and A&C screen transmission simplify this process.



Plug-in camera*

A plug-in camera with an ultra wide 120° angle facilitates videoconferencing. Thanks to a 4K monitoring image sensor, even people in dark light will be visible and vivid.



Array microphones*

Six array microphones are able to filter out any ambient noise. As a result you will have an optimal video conference experience without auditory distraction.



Automatic sound bar

The power of the sound bar can be turned on or off simultaneously with the interactive digital board. Creating an instant auditive experience.

EASE OF USE FOR LECTURER AND AUDIENCE

Hisense



Touch pen

The double headed touch pen has a tip for writing and a cap to erase even the tiniest details. The pen has a write delay as low as 35ms, which makes it feel like you're writing on actual paper.



Dynamic graphics

Drawn graphics are not only colorful, but can also be easily stretched, rotated, moved or copied. You can also change the color of objects by selecting them.



Homepage article bar

An easy to find and use homepage article bar enables quick access to functionalities such as a calculator, voting machine and magnifying glass.



Multi-voting selection

Multi-selections can be realized onscreen, when spectators vote by smartphone. Making sure ideas and solutions can be selected, grouped and handled for better group session results.



Real-time comments

Spectator comments will pop-up onscreen in real-time. Also they will scroll with the page, so no remarks are missed. All without interrupting the person handling the screen.



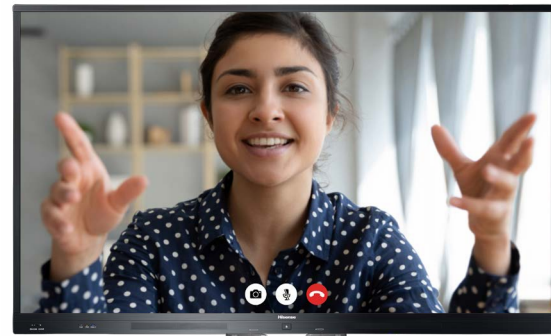
Input method setting

WR series interactive digital boards come with Google Gboard pre-installed as software keyboard. Users can customize the system default input method and/or install their software of preference.

SMART TOOLS FOR EFFECTIVE COLLABORATION

Video Conferencing

Hisense's WR series has certified its compatibility with mainstream video conference software, such as Cisco Webex, Zoom and Microsoft Teams, to bring you an integrated remote video experience. No need to set up eliminating a waste of time to set up or change input on incoming calls, breaking the time and distance restrictions, opening an efficient meeting anytime and anywhere depends on what you want.



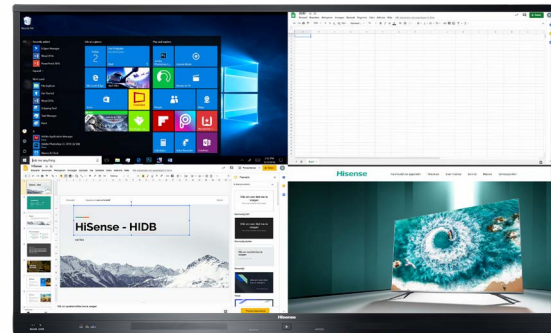
Drawing and content recognition

Hisense's WR series is equipped with intelligent drawing recognition technology, which recognizes squares, circles, triangles, arrows, line segments, etc. In addition, you can draw a table on the screen and the table will adapt its size along with the touch-written content.



Split Screen

During a meeting two files can be shown, compared, switched, zoomed, turned or annotated at the same time. And besides supporting two-way mirroring and two-way touch Hisense's WR series also enable four-way Split Screen. Which will allow up to 4 devices to present simultaneously so everyone's ideas can be shared



Wireless Casting

Besides connecting your laptop through regular cabled methods, you can also connect with one touch using the included dongle. Plug it into your laptop and the content will instantly show on the board through fast and stable transmission (supports iOS / Android / Windows / Mac). Or choose for even less effort and connect your smartphone or tablet using the hotspot function of the Interactive Digital Board.



1080P Transmission
Transfer Delay 65ms
Transfer Distance up to 15m
30FPS Transmission
Supports 5GHz band

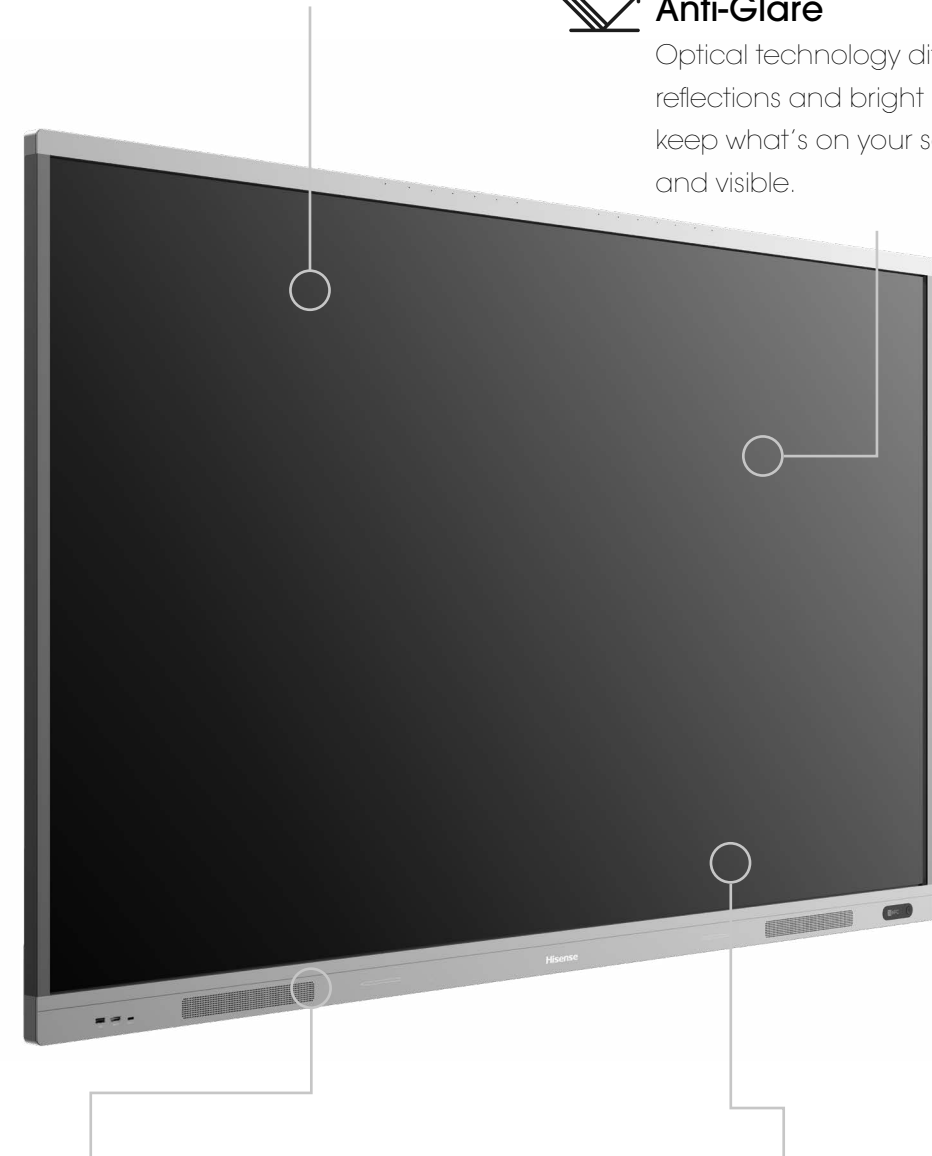
EASY ON THE EYES IMMERSIVE FOR THE EARS

Tempered Glass

Hisense's WR series have heat treated tempered glass preventing any damage to the touch panels.

Anti-Glare

Optical technology diffuses mirror-like reflections and bright lights to help keep what's on your screen clear and visible.



Immersive Sound

Thanks to embedded dual-channel Dolby sound the Hisense WR series will give their users and audiences a cinematic audio-visual experience.

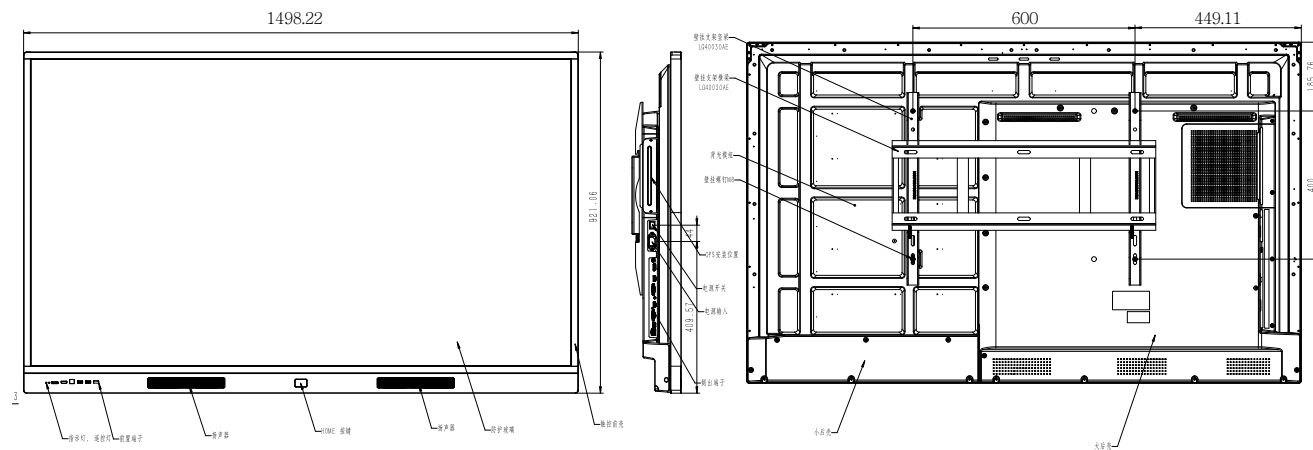
Comfortable viewing

Each of our Interactive Digital Boards has a filter to effectively reduce blue light so your eyes remain comfortable even when using the screen for longer periods of time.

DIMENSIONS IN MM

65WR60AE (65")

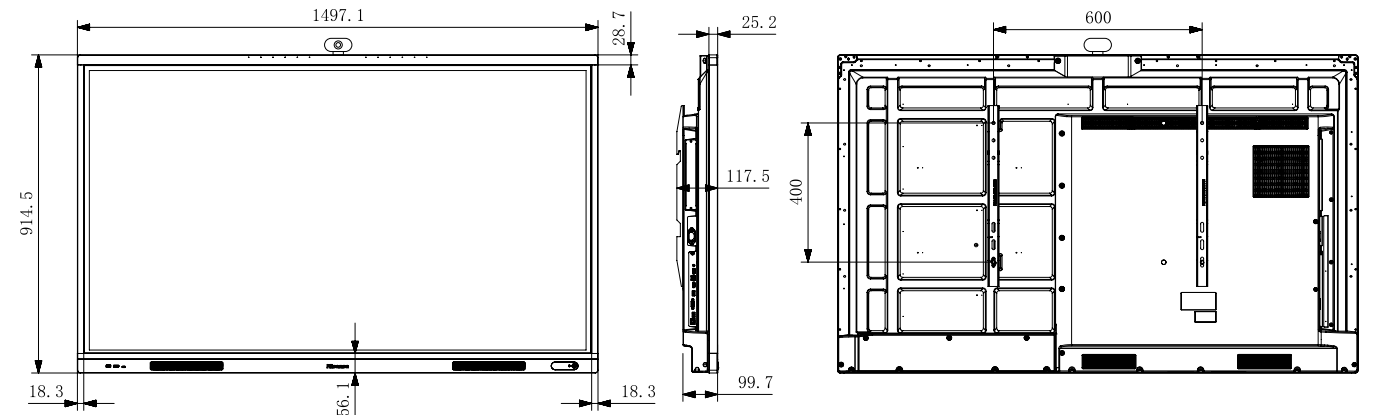
1500 x 922 x 105mm
39.0 kg



DIMENSIONS IN MM

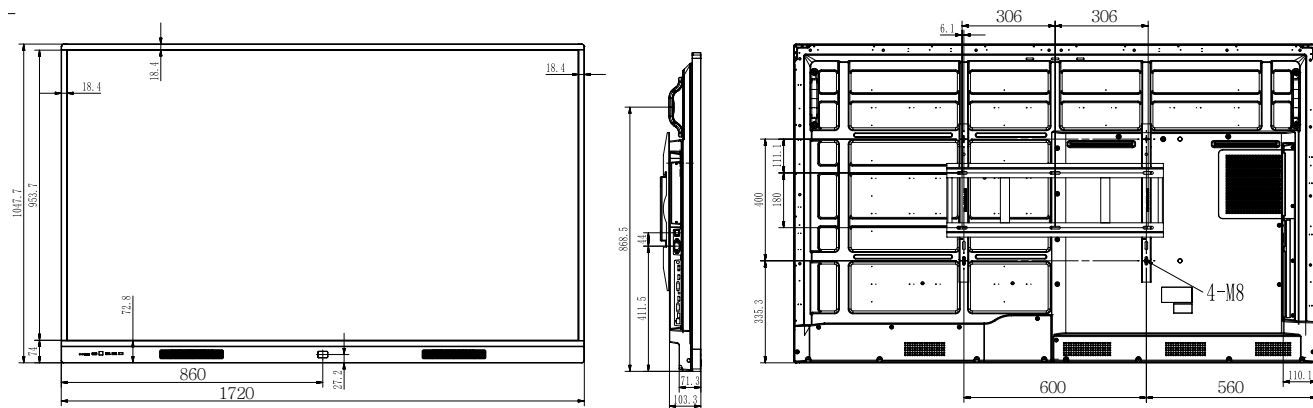
65WR6BE (65")

1497 x 915 x 100mm
37.0 kg



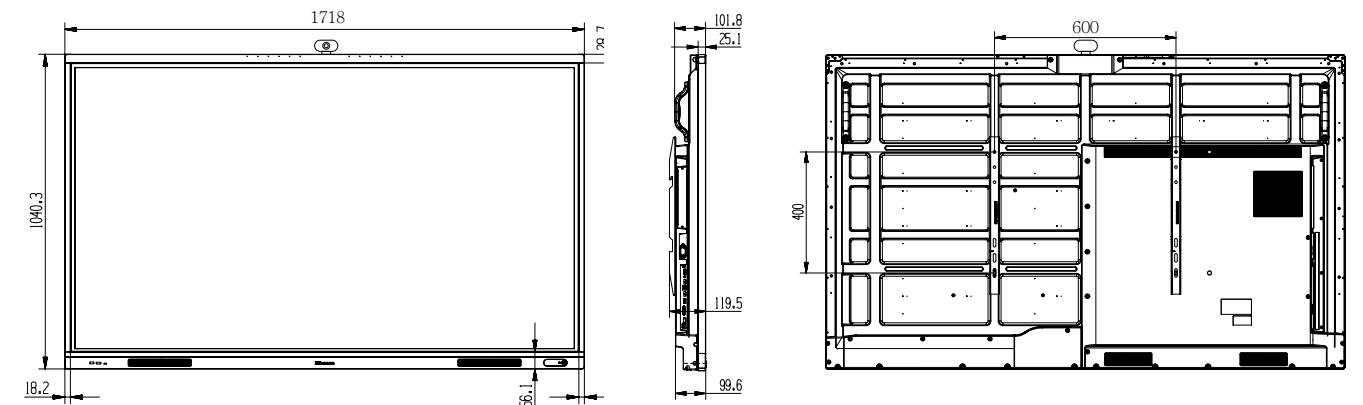
HN75WR80U (75")

1720 x 1047 x 103mm
52.0 kg



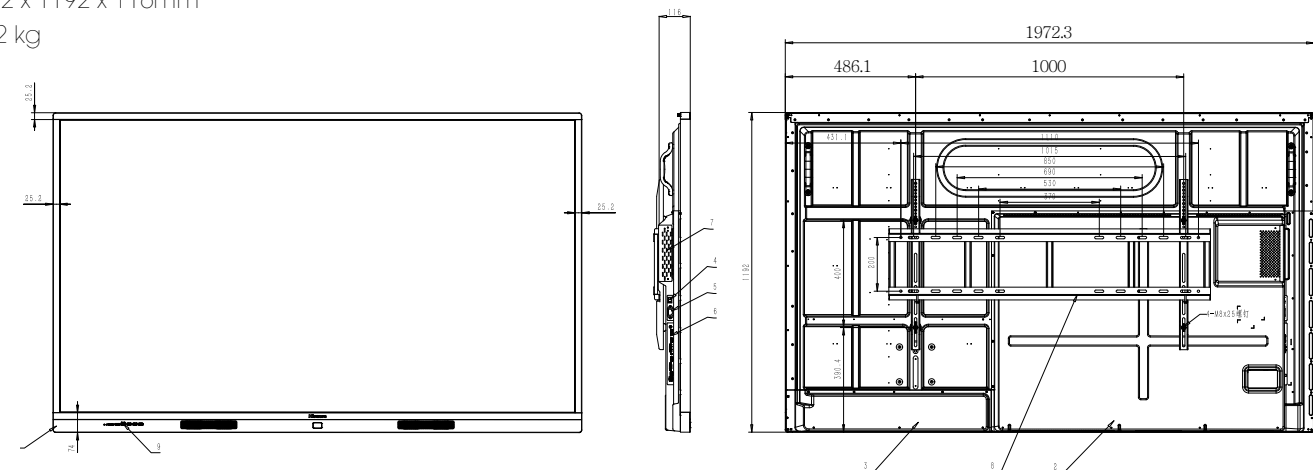
75WR6BE (75")

1718 x 1040 x 102mm
47.5 kg



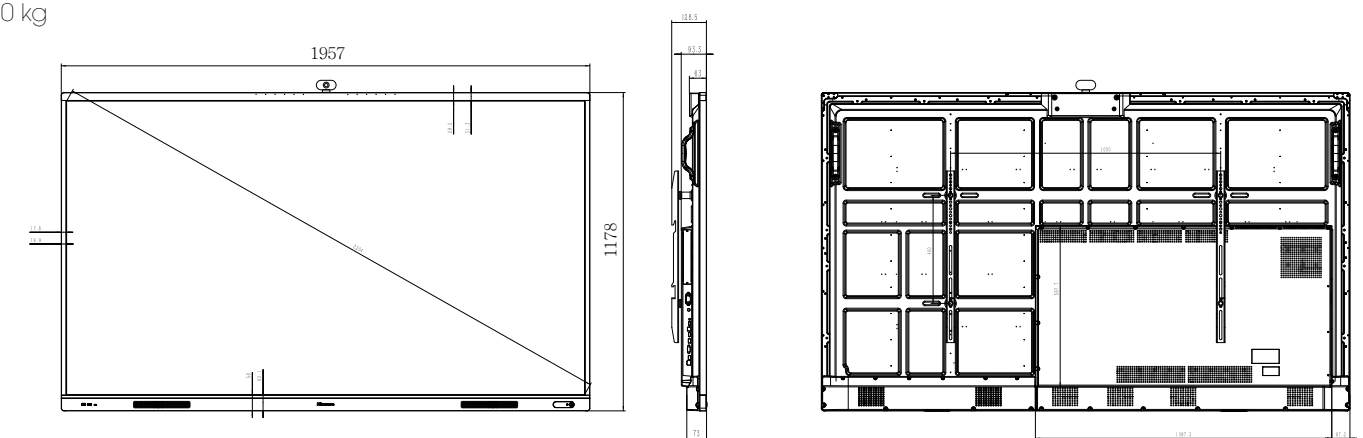
86WR60AE (86")

1972 x 1192 x 116mm
74.2 kg



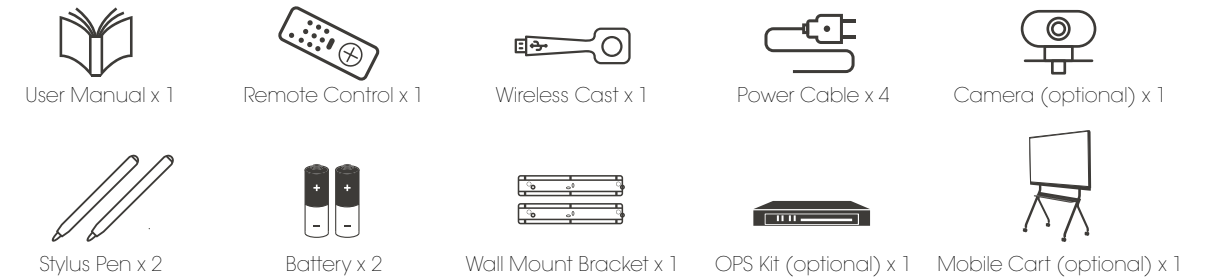
86WR6BE (86")

1957 x 1178 x 94mm
62.0 kg



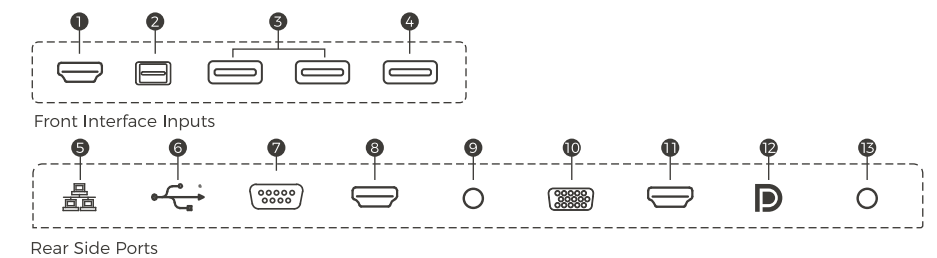


COMPONENTS



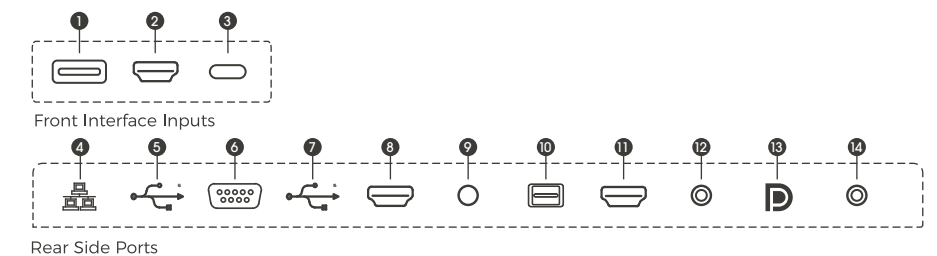
CONNECTIVITY 65WR60AE / HN75WR80U / 86WR60AE

- | | |
|-------------|----------------|
| 1. HDMI In | 8. HDMI Out |
| 2. Touch | 9. Audio In |
| 3. USB | 10. VGA |
| 4. USB 3.0 | 11. HDMI In |
| 5. Ethernet | 12. DP |
| 6. USB | 13. S/PDIF Out |
| 7. RS 232 | |



CONNECTIVITY 65WR6BE / 75WR6BE / 86WR6BE

- | | |
|---------------|-----------------------|
| 1. USB 3.0 | 8. HDMI Out |
| 2. HDMI In | 9. Headphone |
| 3. USB Type C | 10. Touch |
| 4. Ethernet | 11. HDMI In |
| 5. USB | 12. Service |
| 6. RS 232 | 13. DP |
| 7. USB | 14. Digital Audio Out |



65WR60AE / HN75WR80U / 86WR60AE

HIDB					
Model		65WR60AE	HN75WR80U	86WR60AE	
Panel	LCD Size	65"	75"	86"	
	Backlight Type	D-LED	D-LED	D-LED	
	Resolution	3840x2160(pixels)	3840x2160(pixels)	3840x2160(pixels)	
	Brightness	360cd/m²(typ.)	400cd/m²(typ.)	360cd/m²(typ.)	
	Contrast Ratio	1200:1(typ.)	1200:1(typ.)	1200:1(typ.)	
	Response Time	8ms (typ.)	8ms (typ.)	8ms (typ.)	
	Refreshing Frequency	60Hz	60Hz	60Hz	
	Viewing Angle	178°(H) / 178°(V)	178°(H) / 178°(V)	178°(H) / 178°(V)	
	Life Time	30,000 hrs (min.)	30,000 hrs (min.)	30,000 hrs (min.)	
	Color Gamut(X% NTSC)	72%	72%	85%	
	Display Colors	1.07B(10bit)	1.07B(10bit)	1.07B(10bit)	
	System	Chipset		Hi3751V811	Hi3751V811
CPU		Architecture	ARM A73+A53	ARM A73+A53	ARM A73+A53
		Working Frequency	1.7GHz	1.7GHz	1.7GHz
		Core	8 Core	8 Core	8 Core
GPU		MaliG51	MaliG51	MaliG51	
RAM		3GB	3GB	3GB	
ROM		32GB	32GB	32GB	
OS		Android 8.0	Android 8.0	Android 8.0	
Connectivity	Input	HDMI IN	x2	x2	x2
		DP IN	x1	x1	x1
		VGA IN	x1	x1	x1
		AV IN	/	/	/
		YPBPR IN	/	/	/
		OPS(optional)	x1	x1	x1
		LAN	x1	x1	x1
		USB	x4	x4	x4
		Type-C	/	/	/
		Touch	x1	x1	x1
	Output	PC-Audio IN	x1	x1	x1
		RS232 IN	x1	x1	x1
		RS232 OUT	/	/	/
		HDMI OUT	x1	x1	x1
		AV OUT	/	/	/
		S/PDIF OUT	x1	x1	x1
Audio OUT		/	/	/	

HIDB				
Model		65WR60AE	HN75WR80U	86WR60AE
Power	Power Requirements	AC 100 V ~ 240 V, 50/60 Hz	AC 100 V ~ 240 V, 50/60 Hz	AC 100 V ~ 240 V, 50/60 Hz
	Power Consumption Without OPS	220W	240W	460W
	Standby Condition	<0.5W	<0.5W	<0.5W
	Audio Output Power	2x15W/8Ω	2x15W/8Ω	2x15W/8Ω
Touch	Sensing Type	Infrared Touch Frame	Infrared Touch Frame	Infrared Touch Frame
	Surface Protection	4mm Anti-Glare Glass	4mm Anti-Glare Glass	4mm Anti-Glare Glass
	Infrared Touch	≤20 points	≤20 points	≤20 points
	Touch Accuracy	90%(±1mm)	90%(±1mm)	90%(±1mm)
	Response Time	≤8ms	≤8ms	≤8ms
	Theory Clicks	Unlimited	Unlimited	Unlimited
	Minimum Touch Object	≥2mm	≥2mm	≥2mm
	Connect Type	USB2.0 Full Speed	USB2.0 Full Speed	USB2.0 Full Speed
	Voltage	DC+5V±5%	DC+5V±5%	DC+5V±5%
	Power Consumption	≤2W	≤2W	≤2W
	Windows 10/8/7,Android	Multi Touch	Multi Touch	Multi Touch
	Windows XP, Linux, Mac OS X, Chrome	Single Touch	Single Touch	Single Touch
Physical	Product Size(W x H x D)	1500x922x105mm	1720×1047×103mm	1972×1192×116mm
	Package Size(W x H x D)	1720x1110x240mm	1885×1218×300mm	2171×1382×341mm
	Net Weight	39kg	52kg	74.2kg
	Packed Weight	54kg	68kg	102kg
	Housing Material	Front shell: Aluminum Rear shell: Blister	Front shell: Aluminum Rear shell: Blister	Front shell: Aluminum Rear shell: Blister
	Housing Color	Black	Black	Black
	VESA	600*400mm, 4-M8 screw	600*400mm, 4-M8 screw	1000*400mm, 4-M8 screw
Standard Certification	Standard certification	CB,CE,ICASA	CB,CE,ICASA	CB,CE,ICASA
Accessories	Basic	User Manual × 1 Pen × 2 Remote Control × 1 Hanging Wheel × 4 Wireless Cast × 1 Power Cable × 1 Battery × 2 Wall Mount Bracket × 1	User Manual × 1 Pen × 2 Remote Control × 1 Hanging Wheel × 4 Wireless Cast × 1 Power Cable × 1 Battery × 2 Wall Mount Bracket × 1	User Manual × 1 Pen × 2 Remote Control × 1 Hanging Wheel × 4 Wireless Cast × 1 Power Cable × 1 Battery × 2 Wall Mount Bracket × 1
	Optional	Mobile Cart OPS	Mobile Cart OPS	Mobile Cart OPS

65WR6BE / 75WR6BE / 86WR6BE

HIDB					
Model		65WR6BE	75WR6BE	86WR6BE	
Panel	LCD Size	65"	75"	86"	
	Backlight Type	D-LED	D-LED	D-LED	
	Resolution	3840x2160(pixels)	3840x2160(pixels)	3840x2160(pixels)	
	Brightness	330cd/m²(typ.)	370cd/m²(typ.)	370cd/m²(typ.)	
	Contrast Ratio	1200:1(typ.)	1200:1(typ.)	1200:1(typ.)	
	Response Time	8ms (typ.)	8ms (typ.)	8ms (typ.)	
	Refreshing Frequency	60Hz	60Hz	60Hz	
	Viewing Angle	178°(H) / 178°(V)	178°(H) / 178°(V)	178°(H) / 178°(V)	
	Life Time	30,000 hrs (min.)	30,000 hrs (min.)	30,000 hrs (min.)	
	Color Gamut(X% NTSC)	85%	85%	85%	
	Display Colors	1.07B(10bit)	1.07B(10bit)	1.07B(10bit)	
	System	Chipset		Hi3751V811	Hi3751V811
CPU		Architecture	ARM A73+A53	ARM A73+A53	ARM A73+A53
		Working Frequency	1.7GHz	1.7GHz	1.7GHz
		Core	8 Core	8 Core	8 Core
GPU		MaliG51	MaliG51	MaliG51	
RAM		4GB	4GB	4GB	
ROM		32GB	32GB	32GB	
OS		Android 8.0	Android 8.0	Android 8.0	
Connectivity	Input	HDMI IN	x2	x2	x2
		DP IN	x1	x1	x1
		VGA IN	/	/	/
		AV IN	/	/	/
		YPBPR IN	/	/	/
		OPS(optional)	x1	x1	x1
		LAN	x1	x1	x1
		USB	x4 (1 for Camera)	x4 (1 for Camera)	x4 (1 for Camera)
		Type-C	x1	x1	x1
		Touch	x1	x1	x1
	Output	PC-Audio IN	/	/	/
		RS232 IN	x2	x2	x2
		RS232 OUT	/	/	/
		HDMI OUT	x1	x1	x1
		AV OUT	/	/	/
		S/PDIF OUT	x1	x1	x1
		Audio OUT	x1	x1	x1

HIDB					
Model		65WR6BE	75WR6BE	86WR6BE	
Power	Power Requirements		AC 100 V ~ 240 V, 50/60 Hz	AC 100 V ~ 240 V, 50/60 Hz	AC 100 V ~ 240 V, 50/60 Hz
	Power Consumption Without OPS		220W	240W	460W
	Standby Condition		<0.5W	<0.5W	<0.5W
	Audio Output Power		2x15W/8Ω	2x15W/8Ω	2x15W/8Ω
	Touch	Sensing Type		Infrared Touch Frame	Infrared Touch Frame
Surface Protection		4mm Anti-Glare Glass	4mm Anti-Glare Glass	4mm Anti-Glare Glass	
Infrared Touch		≤20 points	≤20 points	≤20 points	
Touch Accuracy		90%(±1mm)	90%(±1mm)	90%(±1mm)	
Response Time		≤8ms	≤8ms	≤8ms	
Theory Clicks		Unlimited	Unlimited	Unlimited	
Minimum Touch Object		≥2mm	≥2mm	≥2mm	
Connect Type		USB2.0 Full Speed	USB2.0 Full Speed	USB2.0 Full Speed	
Voltage		DC+5V±5%	DC+5V±5%	DC+5V±5%	
Power Consumption		≤2W	≤2W	≤2W	
Windows 10/8/7,Android		Multi Touch	Multi Touch	Multi Touch	
Windows XP, Linux, Mac OS X, Chrome		Single Touch	Single Touch	Single Touch	
Physical		Product Size(W x H x D)		1497x915x100mm	1718x1040x102mm
	Package Size(W x H x D)		1720x1110x240mm	1886x1215x304mm	2158x1370x302mm
	Net Weight		37kg	47.5kg	62kg
	Packed Weight		48kg	61kg	82kg
	Housing Material		Front shell: Aluminum Rear shell: Blister	Front shell: Aluminum Rear shell: Blister	Front shell: Aluminum Rear shell: Blister
	Housing Color		Tarnish	Tarnish	Tarnish
	VESA		600*400mm, 4-M8 screw	600*400mm, 4-M8 screw	1000*400mm, 4-M8 screw
Standard Certification	Standard certification		CB,CE,cTUVus, CEC,FCC,ICASA	CB,CE,cTUVus, CEC,FCC,ICASA	CB,CE,cTUVus, CEC,FCC,ICASA
Accessories	Basic		User Manual × 1 Pen × 2 Remote Control × 1 Hanging Wheel × 4 Wireless Cast × 1 Power Cable × 1 Battery × 2 Wall Mount Bracket × 1	User Manual × 1 Pen × 2 Remote Control × 1 Hanging Wheel × 4 Wireless Cast × 1 Power Cable × 1 Battery × 2 Wall Mount Bracket × 1	User Manual × 1 Pen × 2 Remote Control × 1 Hanging Wheel × 4 Wireless Cast × 1 Power Cable × 1 Battery × 2 Wall Mount Bracket × 1
	Optional		Mobile Cart OPS Plug-in camera	Mobile Cart OPS Plug-in camera	Mobile Cart OPS Plug-in camera

CONTACT DETAILS

Headquarters

Hisense International Co., Ltd
Floor 22, Hisense Tower, 17 Donghai Xi
Road, Qingdao, 266071, China
M: (+86) 153 4542 8250
E: gjyxb2bywtzb@hisense.com

Europe

Hisense B2B Europe
Beechavenue 139, 1119 RB Schiphol-Rijk,
Netherlands
T: (+31) 8888 2189 0
M: (+86) 189 3702 0255
E: chamber.liang@hisense.com

Asia Pacific

Hisense B2B Asia
1401, 14F Le concorde Tower,
Ratchadaphisek Road, Huaykwang ,
Bangkok, 10310, Thailand
M: (+86) 15621138269
E: guoliang5@hisense.com

Africa

Hisense B2B South Africa
Eastwood Office Park Block (Unit 12) 11b Riley Road,
Bedfordview, Germiston, Johannesburg
T: (+27) 21 832 2800
E: leon.he@hisense.com
Customer Service: 0860 HISENSE / 0860 4473673

Middle East

Hisense B2B Middle East FZE
Unit 4007, AA01 Building, Mazaya
Business Avenue, JLT, DUBAI, UAE
T: (+971) 4 5906935
M: (+971) 528287458 (Dubai)
E: david.dai@hisense.com

More information can be found at global.hisense.com or commercial-display.hisense.com

Hisense



OFFICIAL PARTNER OF UEFA EURO 2020™

Hisense International Co., Ltd. All rights reserved. Hisense and the Hisense logo are trademarks or registered trademarks of Hisense Group in China and / or other countries. All other company names, brand names, trademarks and logos are the property of their respective owners. Design, pictures and product specifications are for reference only and are subject to change without notice. www.hisense.cn © 2021